

**SURVEY NOTES:**

- THIS SURVEY AND MAP HAS BEEN PREPARED IN ACCORDANCE WITH SECTION 20-300b-1 THRU 20-300b-20 OF THE REGULATIONS FOR STATE AGENCIES "STANDARDS FOR SURVEYS AND MAPS IN THE STATE OF CONNECTICUT" AS ENDORSED BY THE CONNECTICUT ASSOCIATION OF LAND SURVEYORS, INC.
  - A. TYPE OF SURVEY: TOPOGRAPHIC / BATHYMETRIC SURVEY
  - B. BOUNDARY DETERMINATION CATEGORY: RESURVEY
  - C. HORIZONTAL ACCURACY: CLASS A-2
  - VERTICAL ACCURACY: CLASS V-2
  - TOPOGRAPHIC ACCURACY: CLASS T-2
  - D. INTENT: TO DEPICT CURRENT TOPOGRAPHY AND BATHYMETRY.
- LATEST DATE OF FIELD WORK: AUGUST 2021.
- HORIZONTAL GRID IS NAD83 BASED ON LOCAL GPS OBSERVATIONS.
- THE LOCATIONS OF UNDERGROUND UTILITIES AS DEPICTED HEREON ARE BASED ON ABOVEGROUND STRUCTURES, RECORD MAPPING AND PAINT MARK-OUTS. UNDERGROUND UTILITIES MAY VARY FROM LOCATIONS DEPICTED. ADDITIONAL BURIED UTILITIES MAY EXIST.

**MAP REFERENCES**

- BOUNDARY SURVEY PREPARED FOR TOWN OF MONTVILLE PROPERTY OF ROCKTEEN OP, LLC (FIFTH PARCEL) DOCK ROAD TOWN OF MONTVILLE, CONNECTICUT PROJECT NO. CLA-63141 DATE 10/07/19 REVISED 2/10/20 SCALE 1"=20' SHEET 1 OF 1.

TO MY KNOWLEDGE AND BELIEF THIS PLAN IS SUBSTANTIALLY CORRECT AS NOTED OR DEPICTED HEREON.

RYAN J. CHEVERIE, L.L.S. #70454 DATE



**CLA Engineers, Inc.**  
CIVIL · STRUCTURAL · SURVEYING

317 Main Street Norwich, CT 06360  
(860) 886-1966 Fax (860) 886-9165

No.	DATE	REVISION

Project No. CLA-63141	<b>Bathymetric / Topographic Survey</b>  <b>Prepared For</b> <b>TOWN OF MONTVILLE</b> <b>Property Of</b> <b>UNCASVILLE LLC</b>  Dock Road Town of Montville, Connecticut	Proj. Surveyor R.J.C.
Date: August 2021		
Sheet No. <b>1</b>		

M:\6000\6300\63141 Dock Facility\Survey\63141\_L2.dwg



Know what's below.  
Call 811 before you dig.

OVERHEAD  
LICENSE  
AGREEMENT  
MAP REF. 1

DOCK  
ROAD

DOCK  
ROAD

GAS LINE  
EASEMENT

PROVIDE TRAFFIC DRUMS WITH  
BARRICADE WARNING LIGHTS  
AND CONSTRUCTION BARRICADES:  
DOT TYPE III (TYP.)

LIMITS OF FISHING PIER AND  
ASSOCIATED PARKING CONSTRUCTION  
(TYP.)

NEW BITUMINOUS CONCRETE PARKING AND ACCESS  
(TYP. SHADED AREA)

NEW PRECAST CONCRETE BOAT RAMP

EXISTING CONCRETE ABUTMENT TO BE RECONSTRUCTED

SAW CUT & REMOVE WOOD PILES  
AT THE MUD LINE  
(TYP. FOR 18)

PROVIDE A TEMPORARY SIGN AT THE DOCK  
ROAD & PETER AVENUE INTERSECTION:  
"TOWN BOAT LAUNCH AND PARKING LOT ARE  
TEMPORARILY CLOSED DUE TO CONSTRUCTION"

PROPOSED TRAILER PARKING SPACES  
(TYP. FOR 7)

PROPOSED VEHICLE PARKING SPACES  
(TYP. FOR 13)

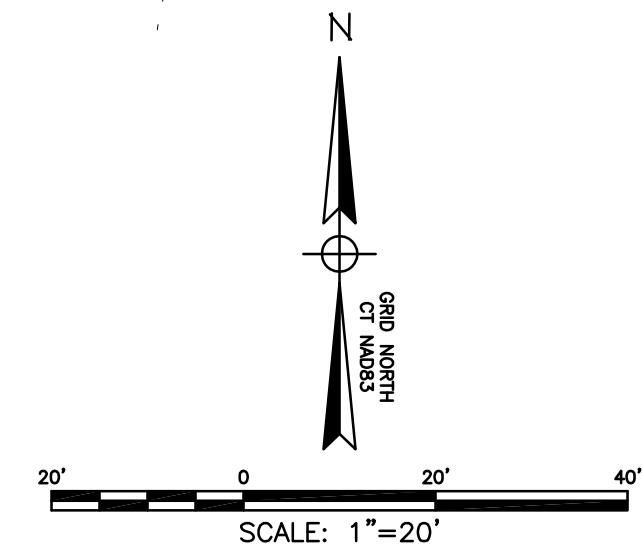
TREE LINE / CLEARING LIMITS  
(TYP.)

EXISTING RIGHT-OF-WAY TO  
REMAIN. ALLOW CONTINUOUS  
ACCESS DURING CONSTRUCTION

100-YEAR FLOOD PLAIN LIMITS  
(ZONE AE, ELEV. 11.0)

APPROXIMATE LOCATION OF  
EXISTING WATER & GAS MAINS  
INSTALLED BELOW THE RIVER

Thames River



COASTAL JURISDICTION LINE  
(ELEV. 2.3)

PROPERTY LINE IS  
MEAN HIGH WATER (ELEV. 1.2)  
APPROXIMATE LOCATION

EXISTING GRAVEL/ASPHALT MILLING  
PARKING AREA TO BE REMOVED  
AND DISPOSED OF

BEACH AREA TO BE RESTORED  
AFTER FISHING PIER CONSTRUCTION

NEW FISHING PIER

**Zone**  
INDUSTRIAL DISTRICT (I)

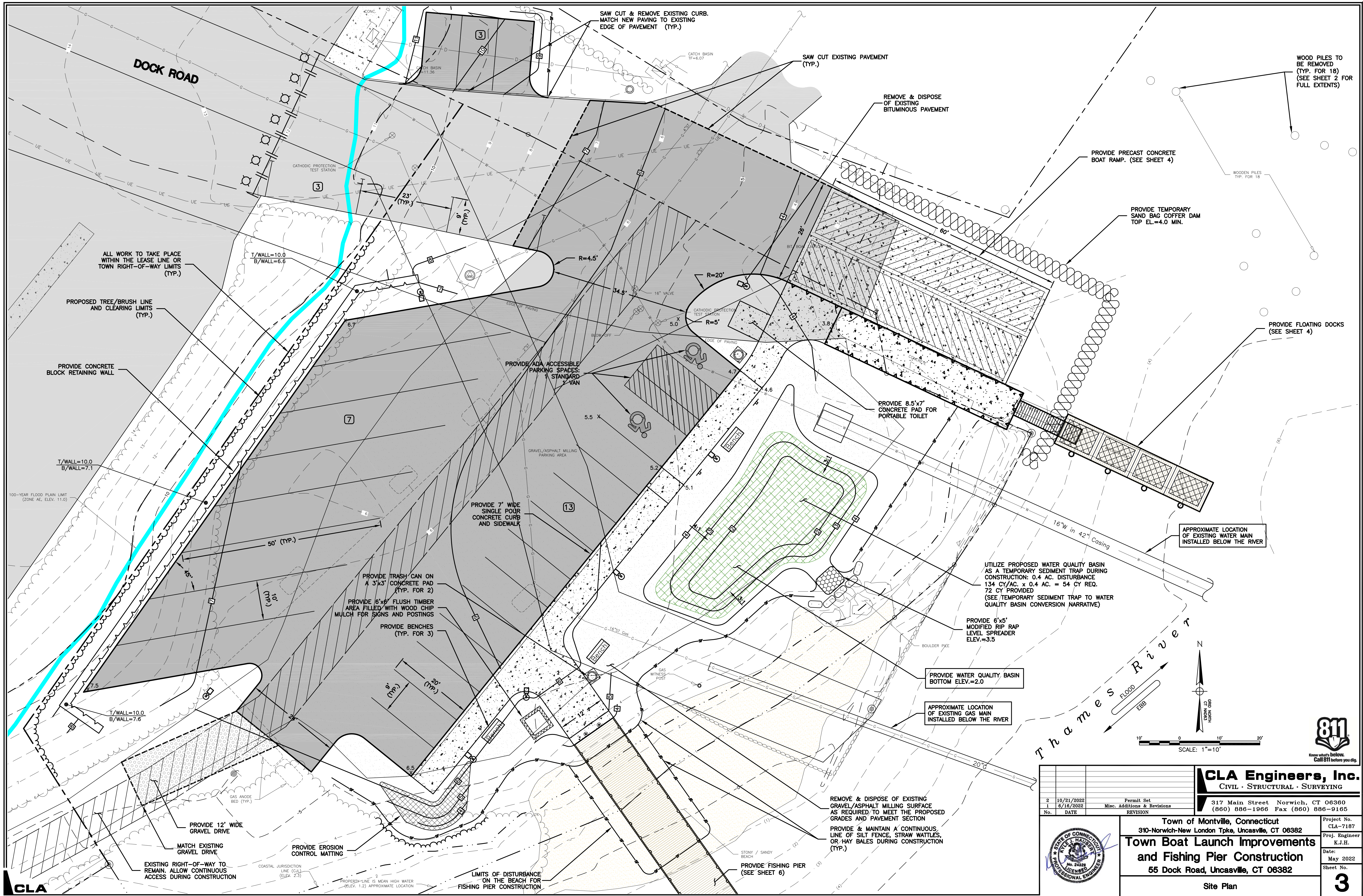
**Parking Spaces**  
CURRENT PARKING AREAS IS NOT STRIPED AND AREAS FOR CARS  
AND TRAILERS ARE NOT SPECIFICALLY DESIGNATED  
EXISTING: 24  
PROPOSED: 26 (7 ARE OVERSIZED FOR TRAILER PARKING)

**Flood Plain Impacts**  
THE PROJECT IS LOCATED ENTIRELY WITHIN THE 100-YEAR FLOOD  
PLAIN (FIRM MAP #09011C0361J, MAP EFF. AUGUST 5, 2013)  
AREA OF DISTURBANCE WITHIN THE 100-YEAR FLOOD PLAIN:  
27,100 SF (0.6 ACRES)

EARTHWORK VOLUME WITHIN THE 100-YEAR FLOOD PLAIN:  
CUT: 223 CY  
FILL: 189 CY  
NET: 34 CY (CUT)

		<b>CLA Engineers, Inc.</b> CIVIL · STRUCTURAL · SURVEYING 317 Main Street Norwich, CT 06360 (860) 886-1966 Fax (860) 886-9165	
2 10/21/2022 Permit Set 1 6/16/2022 Misc. Additions & Revisions	No. DATE REVISION	Project No. CLA-7187 Proj. Engineer K.J.H. Date: May 2022 Sheet No.	<b>Town of Montville, Connecticut</b> 310-Norwich-New London Tpke, Uncasville, CT 06382 <b>Town Boat Launch Improvements          and Fishing Pier Construction</b> 55 Dock Road, Uncasville, CT 06382 Plan of Improvements

M:\7000\7100\7187\Fishing Pier\Drawings\CLA-7187 - Montville Boat Launch and Fishing Pier - Sheet 02-07 Site Plan REV2.dwg



WOOD PILES TO BE REMOVED (TYP. FOR 18) (SEE SHEET 2 FOR FULL EXTENTS)

PROVIDE PRECAST CONCRETE BOAT RAMP. (SEE SHEET 4)

PROVIDE TEMPORARY SAND BAG COFFER DAM TOP EL.=4.0 MIN.

PROVIDE FLOATING DOCKS (SEE SHEET 4)

APPROXIMATE LOCATION OF EXISTING WATER MAIN INSTALLED BELOW THE RIVER

UTILIZE PROPOSED WATER QUALITY BASIN AS A TEMPORARY SEDIMENT TRAP DURING CONSTRUCTION: 0.4 AC. DISTURBANCE 134 CY/AC. x 0.4 AC. = 54 CY REQ. 72 CY PROVIDED (SEE TEMPORARY SEDIMENT TRAP TO WATER QUALITY BASIN CONVERSION NARRATIVE)

PROVIDE 6'x5' MODIFIED RIP RAP LEVEL SPREADER ELEV.=3.5

PROVIDE WATER QUALITY BASIN BOTTOM ELEV.=2.0

APPROXIMATE LOCATION OF EXISTING GAS MAIN INSTALLED BELOW THE RIVER

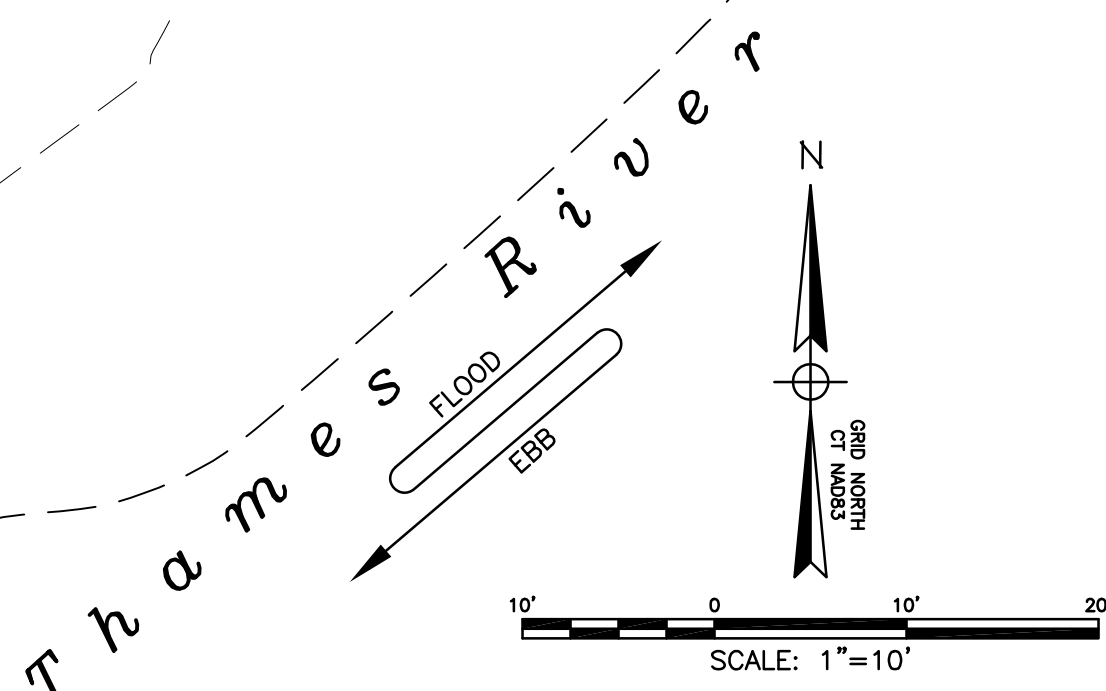
REMOVE & DISPOSE OF EXISTING GRAVEL/ASPHALT MILLING SURFACE AS REQUIRED TO MEET THE PROPOSED GRADES AND PAVEMENT SECTION  
 PROVIDE & MAINTAIN A CONTINUOUS LINE OF SILT FENCE, STRAW WATTLES, OR HAY BALES DURING CONSTRUCTION (TYP.)

PROVIDE FISHING PIER (SEE SHEET 6)

LIMITS OF DISTURBANCE ON THE BEACH FOR FISHING PIER CONSTRUCTION

PROVIDE EROSION CONTROL MATTING

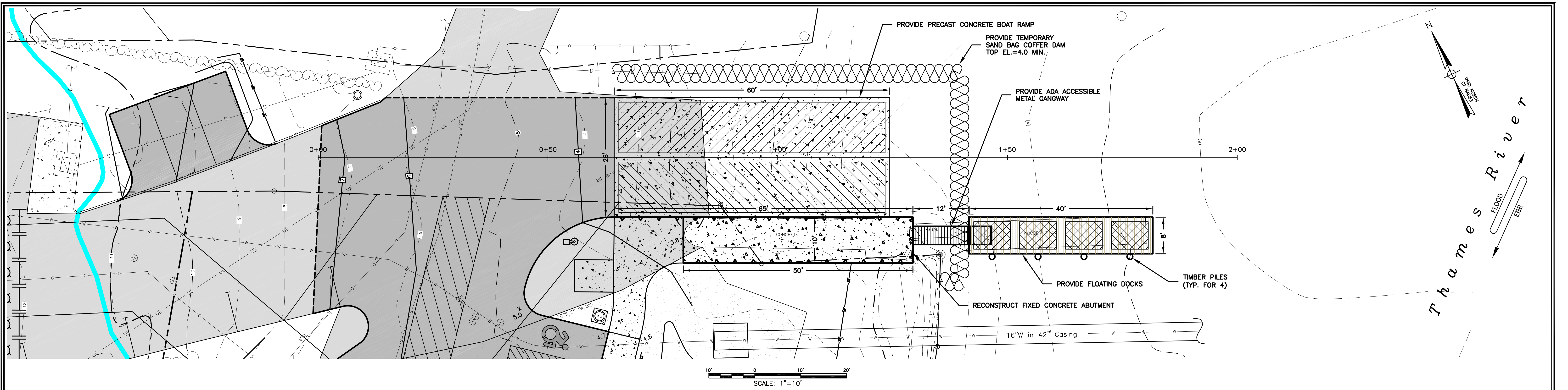
EXISTING RIGHT-OF-WAY TO REMAIN. ALLOW CONTINUOUS ACCESS DURING CONSTRUCTION



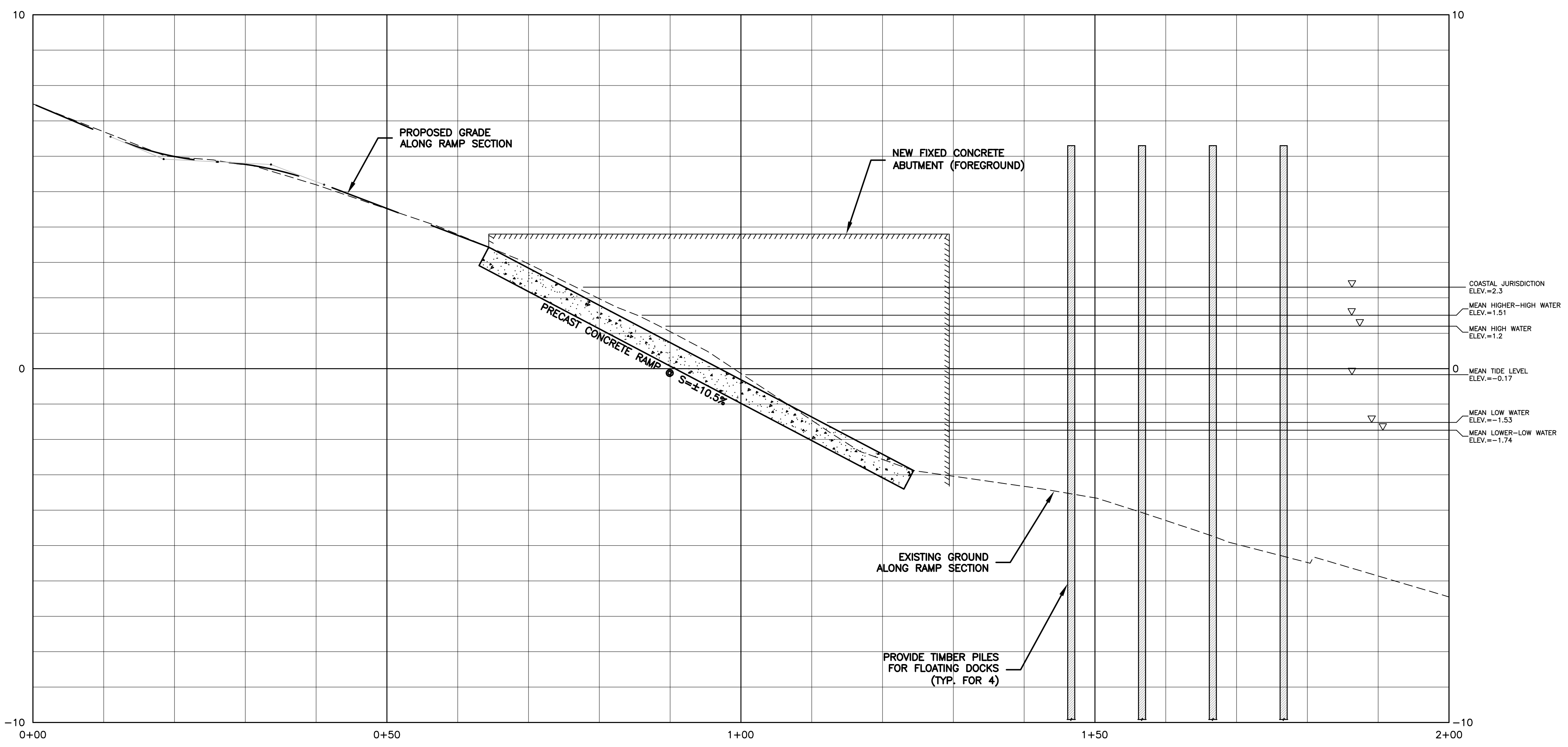
<b>CLA Engineers, Inc.</b> CIVIL · STRUCTURAL · SURVEYING 317 Main Street Norwich, CT 06360 (860) 886-1966 Fax (860) 886-9165		Project No. CLA-7187 Proj. Engineer K.J.H. Date: May 2022 Sheet No. <b>3</b>
2 10/21/2022 Permit Set 1 6/16/2022 Misc. Additions & Revisions No. DATE REVISION	Town of Montville, Connecticut 310-Norwich-New London Tpke, Uncasville, CT 06382 <b>Town Boat Launch Improvements and Fishing Pier Construction</b> 55 Dock Road, Uncasville, CT 06382 Site Plan	

M:\7000\7100\7187\Fishing Pier\Drawings\CLA-7187 - Montville Boat Launch and Fishing Pier - Sheet 02-07 Site Plan REV2.dwg





SCALE: 1"=10'



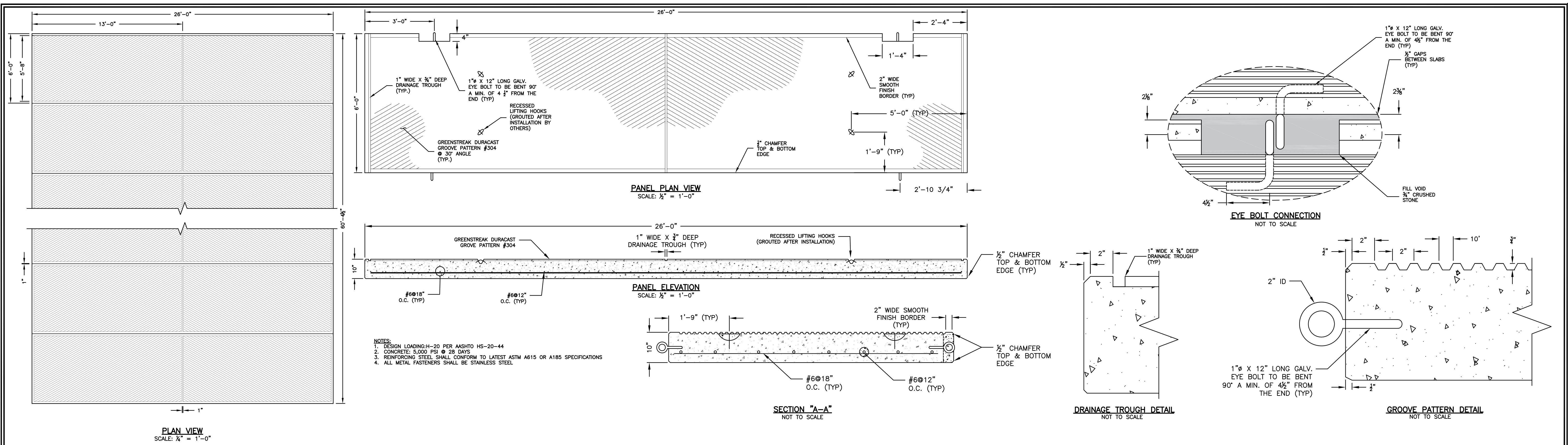
Profile View  
SCALE: HORIZ: 1"=10'  
VERT: 1"=2'

**WATER ELEVATION NOTES:**  
 1. MEAN WATER ELEVATIONS FROM NOAA STATION 8461467, YALE BOATHOUSE, THAMES RIVER, CT.  
 2. STATION DATUM IS MEAN HIGH WATER: ELEVATION 1.2 ESTABLISHED BY FIELD SURVEY.

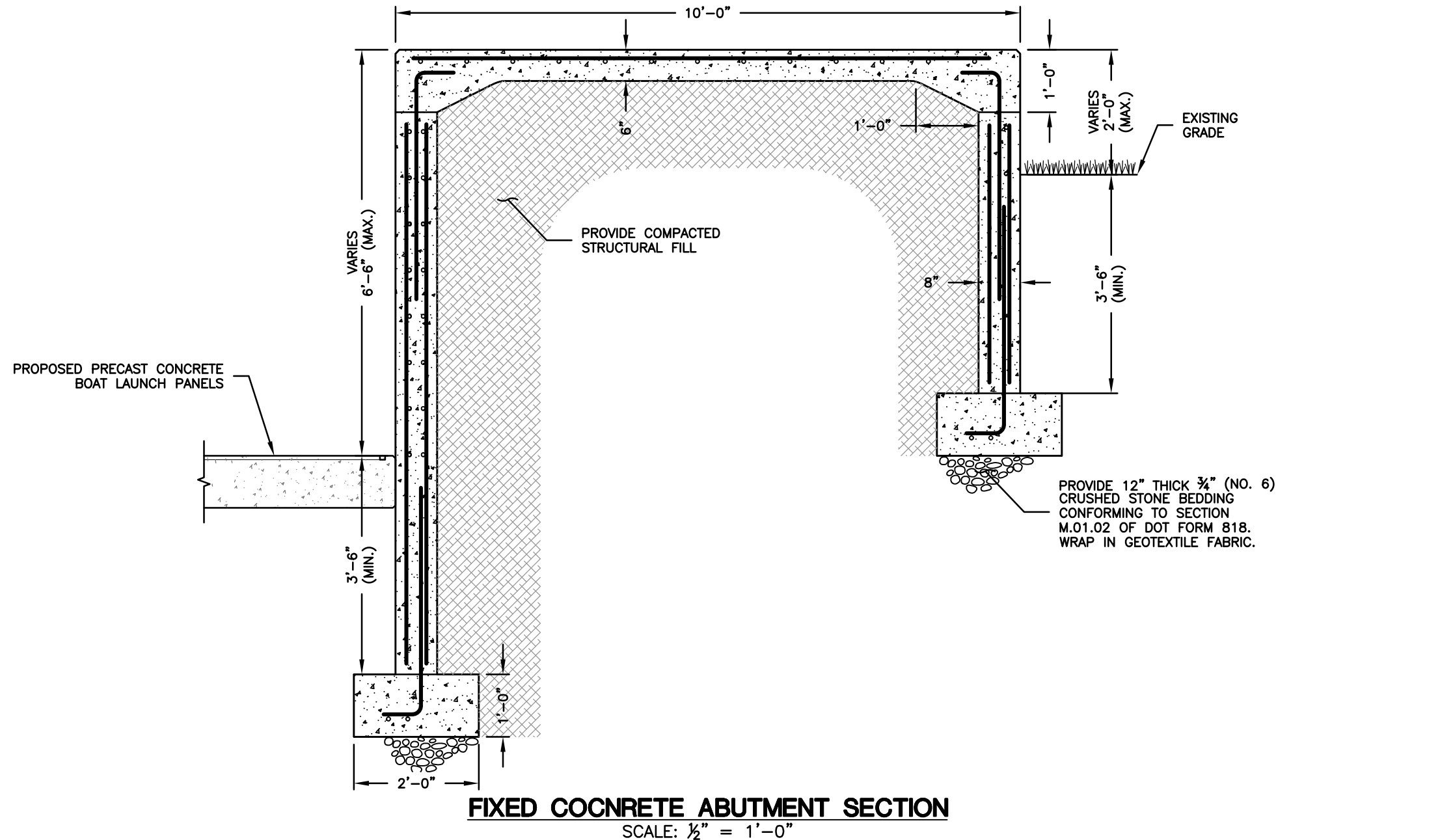
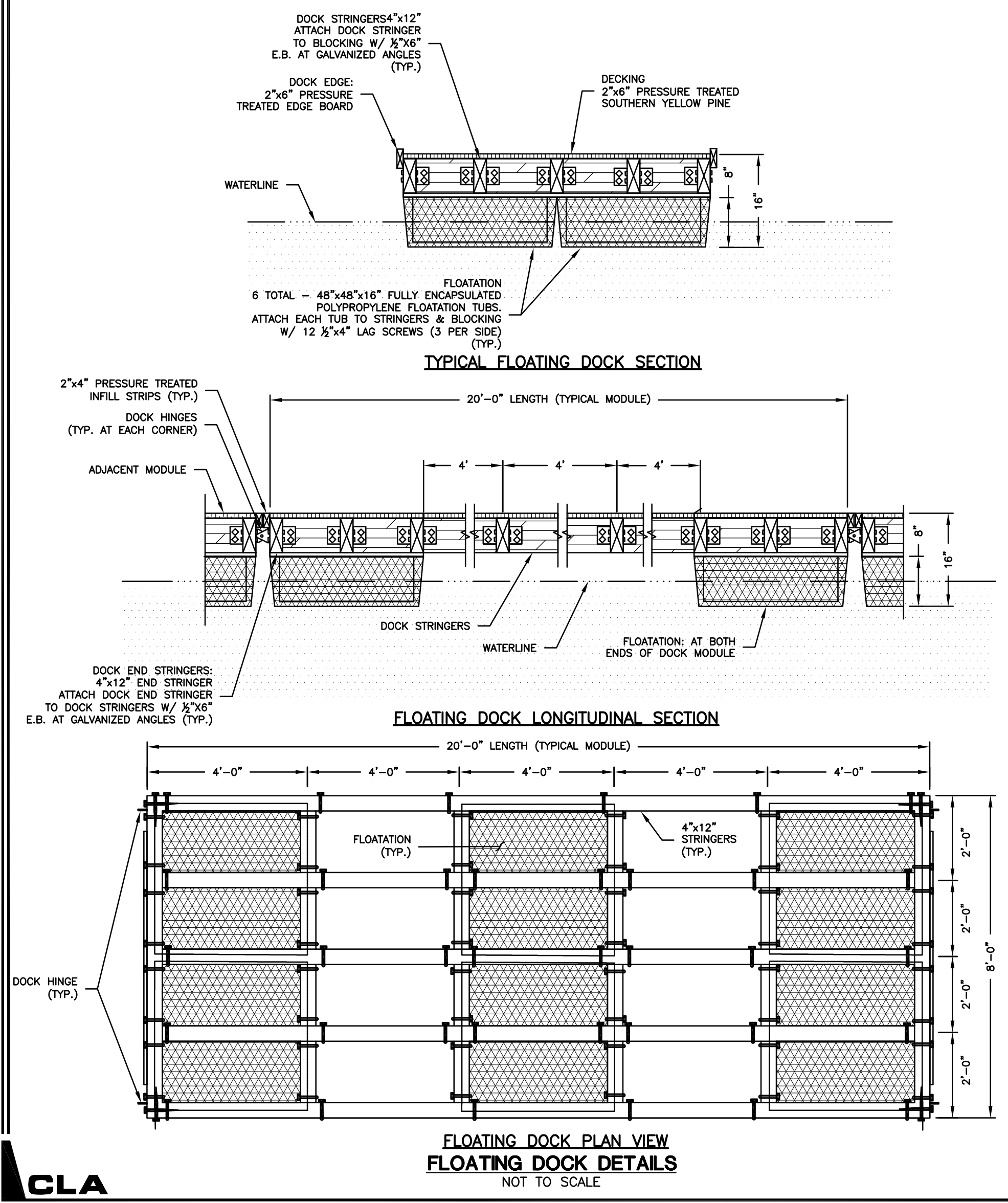
		<b>CLA Engineers, Inc.</b> CIVIL · STRUCTURAL · SURVEYING	
		317 Main Street Norwich, CT 06360 (860) 886-1966 Fax (860) 886-9165	
2	10/21/2022	Permit Set	Project No. CLA-7187
1	6/16/2022	Misc. Additions & Revisions	Proj. Engineer K.J.H.
No.	DATE	REVISION	Date: May 2022
			Sheet No. <b>4</b>

**Town of Montville, Connecticut**  
 310-Norwich-New London Tpke, Uncasville, CT 06382  
**Town Boat Launch Improvements and Fishing Pier Construction**  
 55 Dock Road, Uncasville, CT 06382  
 Boat Launch and Floating Dock Plan & Profile

M:\7000\7100\7187\Fishing Pier Drawings\CLA-7187 - Montville Boat Launch and Fishing Pier - Sheet 02-07 Site Plan REV2.dwg

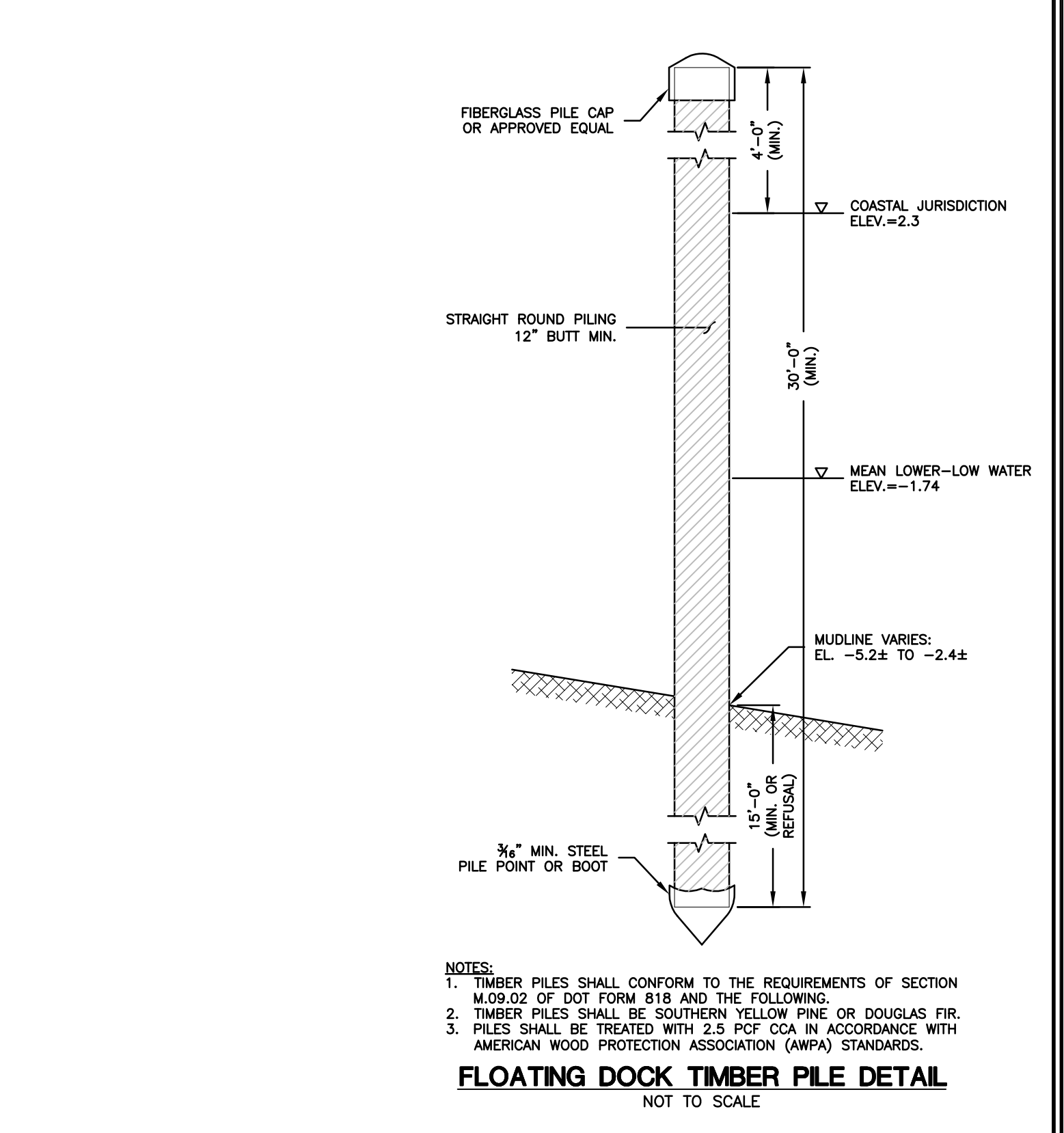


**PRECAST CONCRETE BOAT RAMP DETAILS**



**STRUCTURAL NOTES**

- GENERAL**
- ALL WORK SHALL CONFORM TO THE REQUIREMENTS OF THE IBC 2003 BUILDING CODE, THE 2005 CONNECTICUT SUPPLEMENT AND THE 2009 AMENDMENTS TO THE 2005 CONNECTICUT SUPPLEMENT.
  - THE GENERAL CONTRACTOR SHALL BEAR SOLE RESPONSIBILITY FOR MEANS AND METHODS OF CONSTRUCTION AND SAFETY ON THE JOB SITE.
  - CONTRACTOR SHALL VERIFY ALL CONDITIONS AND DIMENSIONS PRIOR TO BEGINNING WORK AND SHALL NOTIFY OWNER IF ANY DISCREPANCY.
  - CONTRACTOR SHALL BE RESPONSIBLE FOR ANY VARIATIONS FROM THE PLAN WITHOUT WRITTEN CONFIRMATION FROM THE ARCHITECT.
- FOUNDATION/SOILS NOTES**
- FOUNDATION ELEMENTS HAVE BEEN DESIGNED FOR THE FOLLOWING ALLOWABLE BEARING CAPACITIES:  
ALLOWABLE SOIL BEARING PRESSURE = 4000PSF
  - CONCRETE SLABS ON GRADE/FOOTINGS:  
A 12" LAYER OF SOUND, DURABLE 3/4" CLEAN CRUSHED STONE SHALL BE PLACED IMMEDIATELY BENEATH THE SLAB-ON-GRADE/FOOTING.
  - COMPACTION: ALL FILL MATERIAL SHALL BE COMPACTED TO AT LEAST 95% OF MAXIMUM "MODIFIED" OPTIMUM DRY DENSITY (ASTM 1557-D) IN 8" THICK LOOSE LIFTS.
  - ALL EXCAVATION WORK SHALL CONFORM TO OSHA 29CFR 1926 SUBPART P-EXCAVATIONS.
- REINFORCED CONCRETE NOTES**
- GENERAL: ALL CONCRETE WORK SHALL CONFORM TO THE AMERICAN CONCRETE INSTITUTES (ACI) SPECIFICATIONS FOR STRUCTURAL CONCRETE FOR BUILDING (ACI 301-95) AND BUILDING CODE REQUIREMENTS FOR STRUCTURAL CONCRETE (ACI 318-05).
  - CONCRETE MIX DESIGN:  
FOOTINGS AND FOUNDATIONS:  
f'c = 5,000 PSI (MIN.) AT 28 DAYS  
w/c RATIO = 0.48 (MAX)  
MIN. CEMENT PER C.Y. = 540 LBS.  
SLUMP = 4"
  - AIR ENTRAINMENT: 6%  
CONTRACTOR SHALL SUBMIT MIX DESIGN FOR APPROVAL PRIOR TO PLACEMENT.
  - REINFORCING STEEL SHALL BE ASTM A615, GRADE 60. BAR DETAILING SHALL BE IN ACCORDANCE WITH THE "ACI DETAILING MANUAL-1998." PLACEMENT DRAWINGS SHALL SHOW THE NUMBER AND LOCATION OF ALL BAR SUPPORT AND ACCESSORIES.
  - CONCRETE COVER SHALL BE AS FOLLOWS:  
CONCRETE POURED AGAINST EARTH ..... 3"  
CONCRETE POUR IN FORMS ..... 2"  
BUT EXPOSED TO EARTH/WEATHER:  
#5 BARS AND SMALLER ..... 1 1/2"  
#6 BARS AND LARGER ..... 2"
  - THE CONTRACTOR SHALL FURNISH, LOCATE AND INSTALL ALL ACCESSORIES FOR PROPER ANCHORAGE OF STEEL FRAMING AND MASONRY WORK. HE SHALL BE SOLELY RESPONSIBLE FOR FURNISHING, LOCATING, AND ENSURING PROPER QUANTITY OF FASTENING DEVICES.
  - WHEN INSTALLING EXPANSION OR ADHESIVE ANCHORS, THE CONTRACTOR SHALL TAKE MEASURES TO AVOID DRILLING OR CUTTING OF EXISTING REINFORCING AND DESTRUCTION OF CONCRETE. HOLES SHALL BE BLOWN CLEAN PRIOR TO PLACING BOLTS OR ADHESIVE ANCHORS.

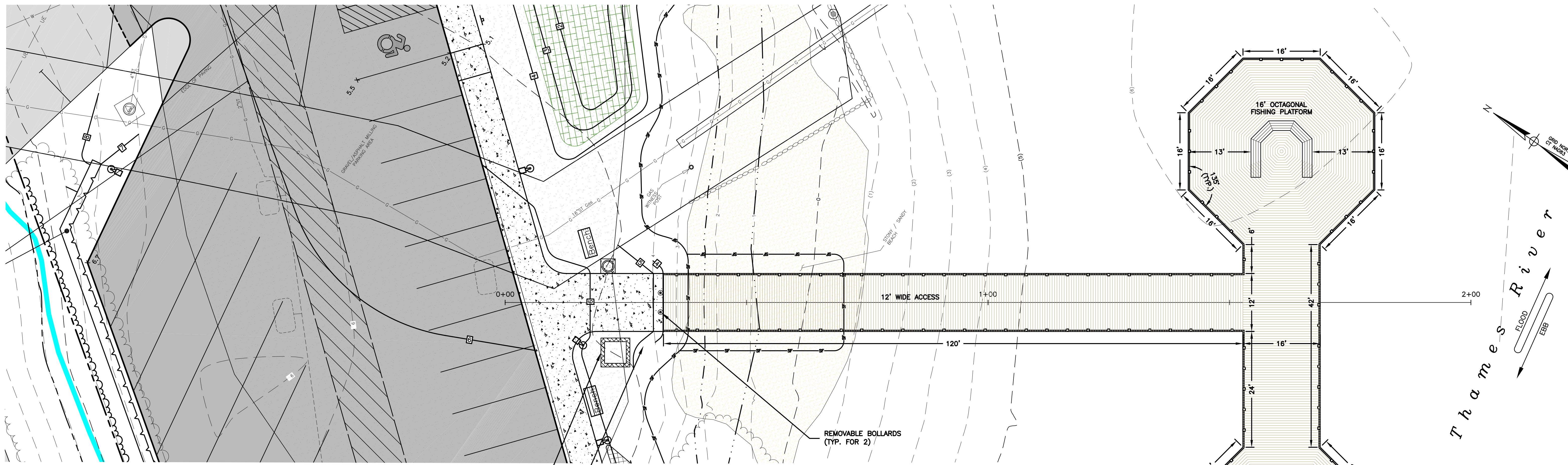


		<p><b>CLA Engineers, Inc.</b> CIVIL · STRUCTURAL · SURVEYING</p> <p>317 Main Street Norwich, CT 06360 (860) 886-1966 Fax (860) 886-9165</p>	Project No. CLA-7187
2 10/21/2022 1 6/16/2022	Permit Set Misc. Additions & Revisions		Proj. Engineer K.J.H. Date: May 2022 Sheet No. <b>5</b>

**Town of Montville, Connecticut**  
310-Norwich-New London Tpke, Uncasville, CT 06382

**Town Boat Launch Improvements and Fishing Pier Construction**  
55 Dock Road, Uncasville, CT 06382

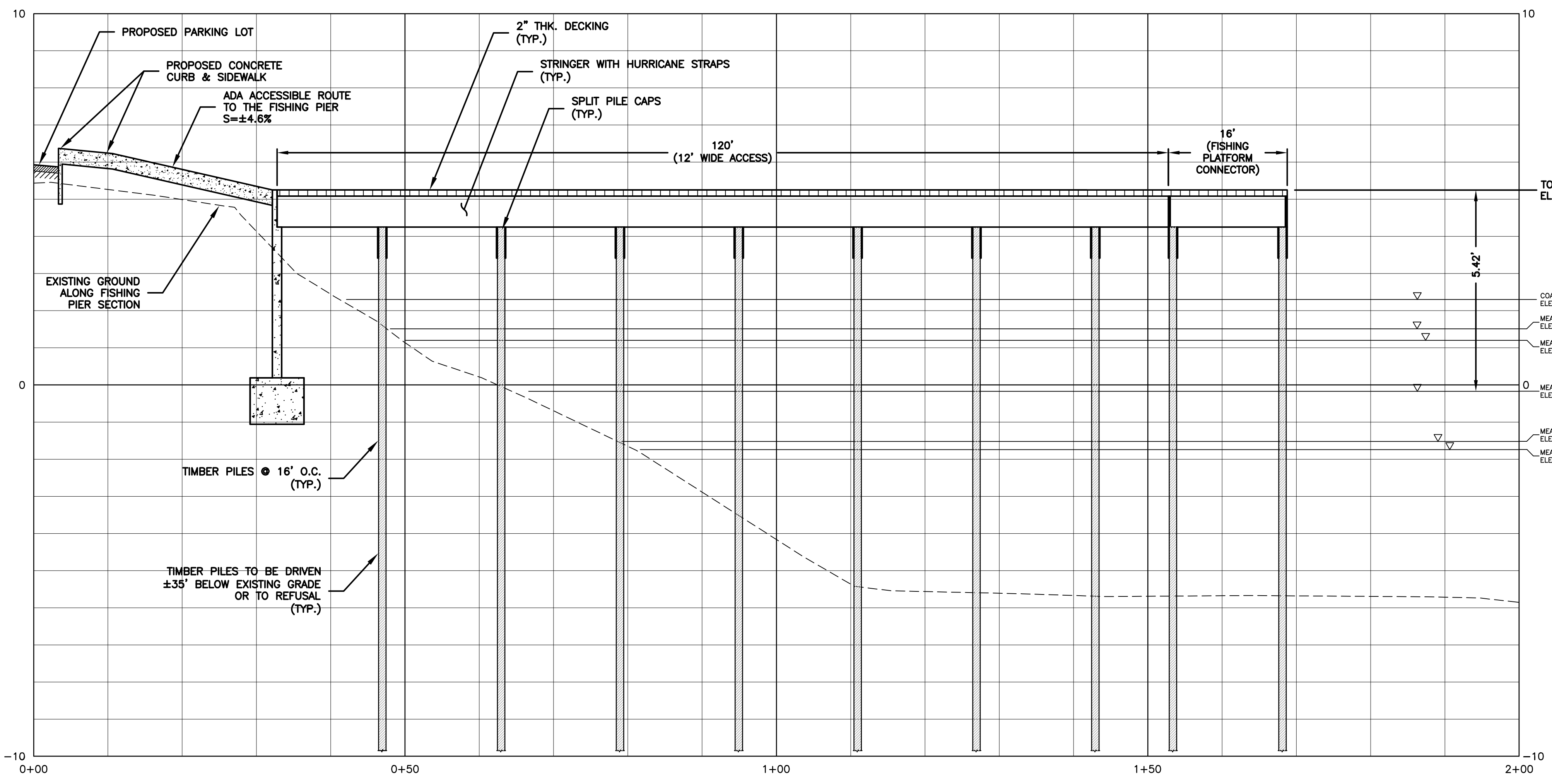
**Boat Launch and Floating Dock Details**



PROVIDE 6"x6" FLUSH TIMBER AREA FILLED WITH WOOD CHIP MULCH FOR SIGNS AND POSTINGS

PROVIDE TRASH CAN ON A 3'x3' CONCRETE PAD

SCALE: 1"=10'



TOP OF DECK ELEV.=5.25

5.42'

COASTAL JURISDICTION ELEV.=2.3

MEAN HIGHER-HIGH WATER ELEV.=1.51

MEAN HIGH WATER ELEV.=1.2

0 MEAN TIDE LEVEL ELEV.=0.17

MEAN LOW WATER ELEV.=1.53

MEAN LOWER-LOW WATER ELEV.=1.74

PROVIDE METAL RAILINGS: 34" HIGH (TYP.)

PROVIDE 24" WIDE BENCHES (TYP.)

**WATER ELEVATION NOTES:**

1. MEAN WATER ELEVATIONS FROM NOAA STATION 8461467, YALE BOATHOUSE, THAMES RIVER, CT.

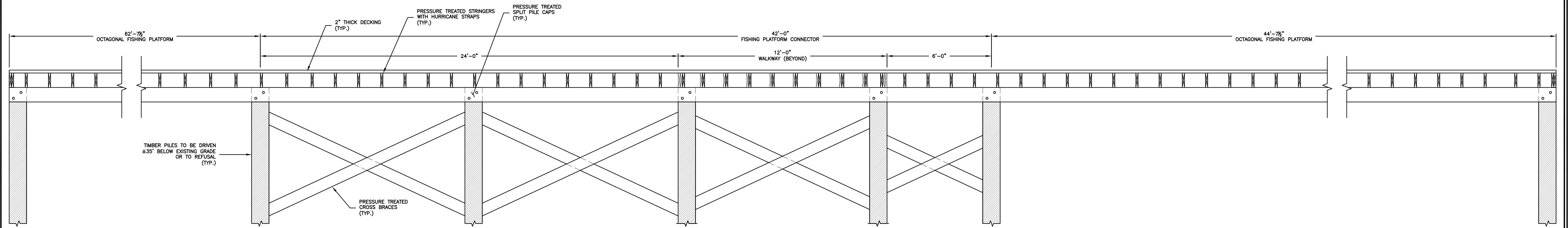
2. STATION DATUM IS MEAN HIGH WATER; ELEVATION 1.2 ESTABLISHED BY FIELD SURVEY.

**Profile View**

SCALE: HORIZ: 1"=10'

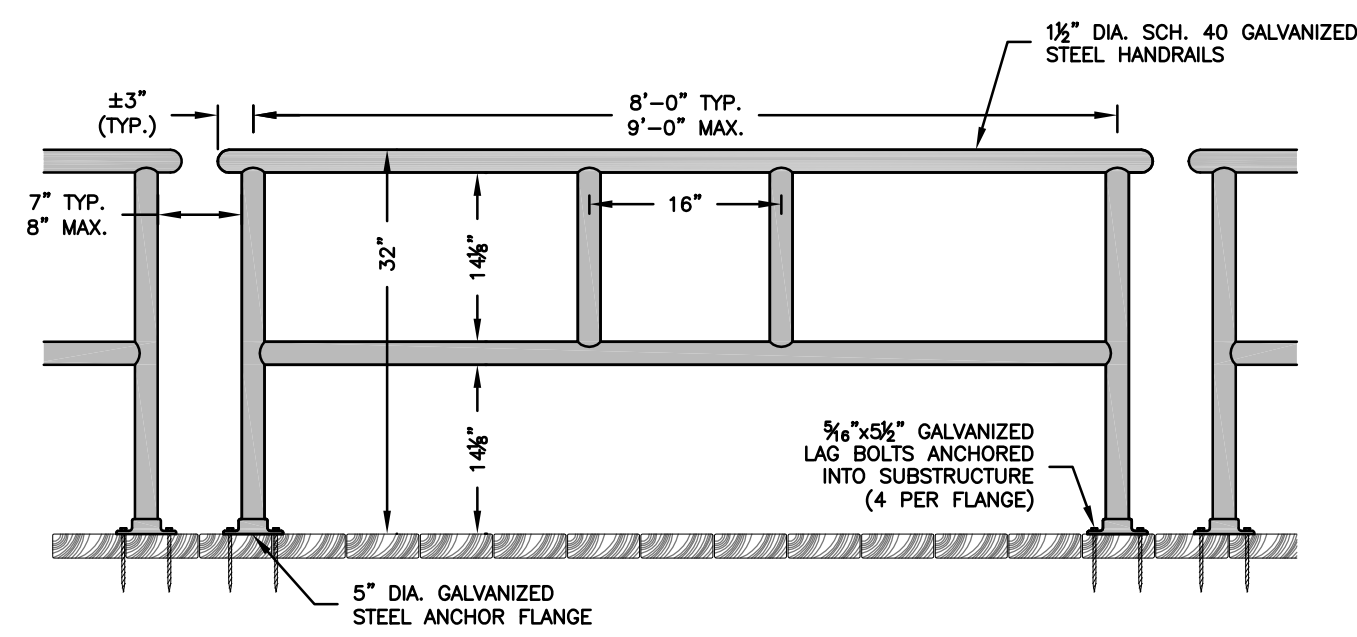
VERT: 1"=2'

		<b>CLA Engineers, Inc.</b> CIVIL · STRUCTURAL · SURVEYING 317 Main Street Norwich, CT 06360 (860) 886-1966 Fax (860) 886-9165	
2	10/21/2022	Permit Set	Project No. CLA-7187
1	6/16/2022	Misc. Additions & Revisions	Proj. Engineer K.J.H.
No.	DATE	REVISION	Date: May 2022
Town of Montville, Connecticut 310-Norwich-New London Tpke, Uncasville, CT 06382 <b>Town Boat Launch Improvements and Fishing Pier Construction</b> 55 Dock Road, Uncasville, CT 06382 Fishing Pier Plan & Profile			Sheet No. <b>6</b>



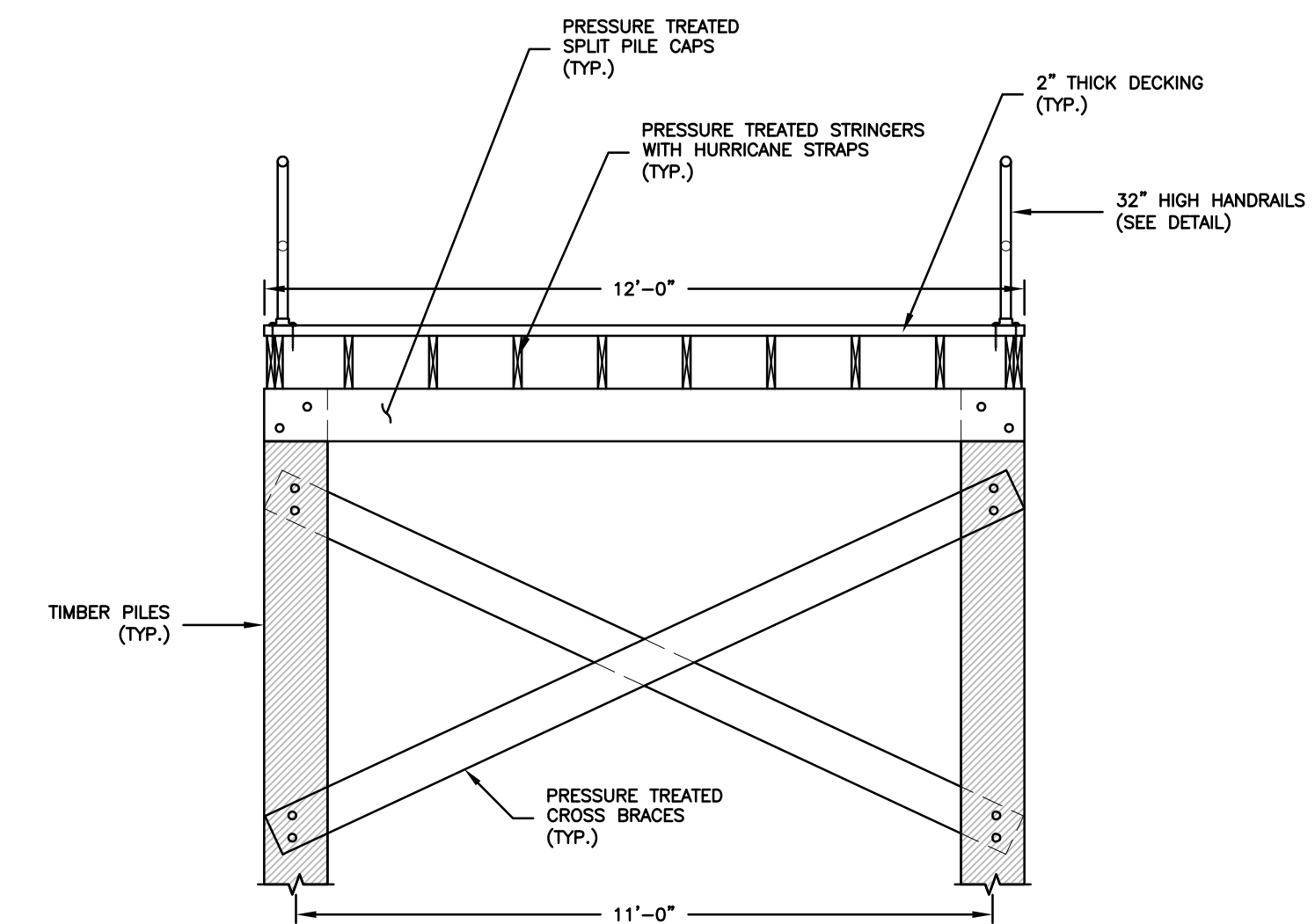
NOTES:  
 1. HANDRAILS HAVE BEEN OMITTED FROM THIS VIEW FOR CLARITY. SEE HANDRAIL DETAILS FOR LAYOUT AND FIELD MEASUREMENT REQUIREMENTS.

**FISHING PIER SECTION A-A (FISHING PLATFORM)**  
 SCALE: 3/8" = 1'-0"



NOTES:  
 1. THE CONTRACTOR SHALL BE RESPONSIBLE FOR THE FIELD MEASUREMENT AND FABRICATION OF THE HANDRAILS TO MEET THE AS-BUILT FIELD CONDITIONS.  
 2. HANDRAILS SHALL BE 1 1/2" DIAMETER SCH. 40 GALVANIZED STEEL.

**HANDRAIL DETAILS**  
 SCALE: 3/4" = 1'-0"



**FISHING PIER SECTION C-C (WALKWAY)**  
 SCALE: 3/8" = 1'-0"

<b>CLA Engineers, Inc.</b> CIVIL · STRUCTURAL · SURVEYING 317 Main Street Norwich, CT 06360 (860) 886-1966 Fax (860) 886-9165		Project No. CLA-7187 Proj. Engineer K.J.H. Date: May 2022 Sheet No. <b>7</b>
2 10/21/2022 Permit Set 1 6/16/2022 Misc. Additions & Revisions	Town of Montville, Connecticut 310-Norwich-New London Tpke, Uncasville, CT 06382 <b>Town Boat Launch Improvements and Fishing Pier Construction</b> 55 Dock Road, Uncasville, CT 06382 Fishing Pier Details	





**EROSION & SEDIMENTATION CONTROL NARRATIVE**

1. THE EROSION & SEDIMENTATION CONTROL PLAN AND DETAILS HAVE BEEN DEVELOPED AS A STRATEGY TO CONTROL SOIL EROSION AND SEDIMENTATION DURING AND AFTER CONSTRUCTION. THIS PLAN IS BASED ON THE "2002 CONNECTICUT GUIDELINES FOR SOIL EROSION AND SEDIMENT CONTROL" BY THE CONNECTICUT COUNCIL ON SOIL AND WATER CONSERVATION IN COOPERATION WITH THE CONNECTICUT DEP.
2. THE PROPOSED LOCATIONS OF SILTATION AND EROSION CONTROL MEASURES ARE SHOWN ON THE PLANS. THE CONTRACTOR SHALL PROVIDED SILT FENCE, STONE CHECK DAMS AND/OR OTHER EROSION CONTROL MEASURES AS NEEDED OR DIRECTED BY THE ENGINEER OR TOWN STAFF TO ADEQUATELY PREVENT SEDIMENT TRANSPORT.
3. EROSION AND SEDIMENTATION CONTROL MEASURES SHALL BE INSTALLED PRIOR TO SITE DISTURBANCE.
4. THE CONTRACTOR SHALL INSPECT, REPAIR AND/OR REPLACE EROSION CONTROL MEASURES EVERY 7 DAYS AND IMMEDIATELY FOLLOWING ANY SIGNIFICANT RAINFALL OR SNOW MELT. SEDIMENT DEPOSITS MUST BE REMOVED WHEN DEPOSITS REACH APPROXIMATELY ONE HALF THE HEIGHT OF THE BARRIER. SEDIMENT CONTROL DEVICES SHALL REMAIN IN PLACE AND BE MAINTAINED BY THE CONTRACTOR UNTIL AREAS UPSLOPE ARE PERMANENTLY STABILIZED.
5. STAKED HAY BALE SILT BARRIERS OR SILT FENCE SHALL BE INSTALLED AROUND ANY TEMPORARY STOCKPILE AREAS. TEMPORARY VEGETATIVE COVER MAY BE REQUIRED (SEE NOTE).
6. CONTINUOUS DUST CONTROL USING WATER, CALCIUM CHLORIDE OR APPROVED EQUAL SHALL BE PROVIDED FOR ALL EARTH STOCKPILES, EARTH PILED ALONG EXCAVATIONS, EXCAVATIONS, SURFACES OF BACKFILLED TRENCHES AND GRAVELED ROADWAY SURFACES.
7. IF DEWATERING IS NECESSARY DURING ANY TIME OF CONSTRUCTION A CLEAR WATER DISCHARGE SHALL BE PROVIDED AS PROPOSED BY THE CONTRACTOR AND APPROVED BY THE ENGINEER. TRENCH DEWATERING SHALL NOT DISCHARGE DIRECTLY TO WETLANDS. WATER SHALL BE DISCHARGED TO THE STABILIZED SETTLING BASIN(S).
8. ALL DISTURBED AREAS SHALL BE RESTORED PER THE SLOPE STABILIZATION AND PERMANENT VEGETATION DETAILS. ALL DISTURBED AREAS THAT ARE SLOPED LESS THAN THREE HORIZONTAL TO ONE VERTICAL (3:1) SLOPE SHALL BE LOAMED, SEEDED, FERTILIZED AND MULCHED PER THE PERMANENT VEGETATIVE COVER SPECIFICATIONS. EROSION CONTROL MATTING OR HYDROSEEDING SHALL BE PROVIDED ON ALL DISTURBED AREAS THAT ARE SLOPED THREE HORIZONTAL TO ONE VERTICAL (3:1) OR STEEPER.
9. IF FINAL SEEDING OF DISTURBED AREAS IS NOT TO BE COMPLETED BEFORE OCTOBER 15, THE CONTRACTOR SHALL PROVIDE TEMPORARY MULCHING (DORMANT SEEDING MAY BE ATTEMPTED AS WELL) TO PROTECT THE SITE AND DELAY PERMANENT SEEDING.
10. WHEN FEASIBLE, TEMPORARY SEEDING OF DISTURBED AREAS THAT HAVE NOT BEEN FINISHED GRADED SHALL BE COMPLETED PRIOR TO OCTOBER 15.
11. ANY EROSION WHICH OCCURS WITHIN THE DISTURBED AREAS SHALL BE IMMEDIATELY REPAIRED AND STABILIZED. DURING THE CONSTRUCTION PHASE, INTERCEPTED SEDIMENT SHALL BE RETURNED TO THE SITE. POST SEEDING, INTERCEPTED SEDIMENT, IF ANY, SHALL BE DISPOSED OF IN A MANNER APPROVED BY THE TOWN AND ENGINEER.
12. EROSION AND SEDIMENTATION CONTROL MEASURES SHALL REMAIN IN PLACE UNTIL VEGETATION IS RE-ESTABLISHED OR SLOPES ARE STABILIZED AND REMOVAL IS APPROVED BY THE TOWN.
13. UNFORESEEN PROBLEMS WHICH ARE ENCOUNTERED IN THE FIELD SHALL BE SOLVED ACCORDING TO THE "2002 CONNECTICUT GUIDELINES FOR SOIL EROSION AND SEDIMENT CONTROL" BY THE CONNECTICUT COUNCIL ON SOIL AND WATER CONSERVATION IN COOPERATION WITH THE CONNECTICUT DEP.
14. THE CONTRACTOR SHALL PROVIDE THE NAME AND EMERGENCY CONTACT INFORMATION FOR THE PROJECT PERSONNEL RESPONSIBLE FOR EROSION AND SEDIMENTATION CONTROLS TO THE TOWN PRIOR TO THE START OF CONSTRUCTION.

NOTE: THE CONTRACTOR SHALL CONTINUALLY STORE THE FOLLOWING MATERIALS ONSITE DURING CONSTRUCTION TO MEET UNEXPECTED EROSION NEEDS

- \* 100 LF OF SILT FENCE
- \* 10 HAY BALES
- \* 10 CY OF WOOD CHIPS OR CRUSHED STONE

**TEMPORARY SEDIMENT TRAP TO WATER QUALITY BASIN CONVERSION**

- THE STORMWATER BASIN IS LOCATED AT THE LOW POINT IN THE DEVELOPED PORTION OF THE SITE. TOPOGRAPHY AND DRAINAGE WILL BE USED DURING CONSTRUCTION AS A TEMPORARY SEDIMENT TRAP. THE TRAP WILL BE EXCAVATED TO THE DESIGN FINISHED GRADE PRIOR TO THE COMMENCEMENT OF OTHER SITE GRADING. THE TRAP SHALL BE STABILIZED WITH TEMPORARY SEED MIX OR A 3" THICKNESS OF 3/4" CRUSHED STONE. THE BERM ON THE DOWNSTREAM SIDE OF THE BASIN WILL BE STABILIZED WITH MODIFIED RIPRAP. THE FOLLOWING OPERATIONS AND MAINTENANCE PROCEDURES SHALL BE FOLLOWED:
1. THE TRAP WILL BE INSPECTED AT LEAST ONCE PER WEEK AND WITHIN 24 HOURS AFTER ANY RAINFALL OF 0.5 INCHES OR GREATER.
  2. THE SEDIMENT TRAP WILL BE CLEANED WHEN SEDIMENT ACCUMULATION EXCEEDS ONE HALF OF THE AVAILABLE WET STORAGE CAPACITY. SEDIMENTS REMOVED FROM THE SEDIMENT TRAP WILL BE PLACED OUTSIDE OF THE UPLAND REVIEW ZONE IN THE DESIGNATED STOCKPILE AREA OR WILL BE TRUCKED OFFSITE.
  3. PRIOR TO COMPLETING THE BASINS, EXISTING SEDIMENT LOCATED IN THE BASIN BOTTOM IS TO BE REMOVED.
  4. AFTER SITE CONSTRUCTION IS COMPLETE THE TRAP SHALL BE EXCAVATED TO A SUFFICIENT DEPTH TO INSTALL THE PERVIOUS TOPSOIL MIX AS INDICATED ON THE WATER QUALITY BASIN CONSTRUCTION DETAIL. PERVIOUS TOPSOIL MIX SHALL BE INSTALLED TO THE FINISHED GRADE.
  5. IMMEDIATELY FOLLOWING THE BACKFILLING THE BASIN SHALL BE SEEDED AND MULCHED.

**STORMWATER MANAGEMENT & POLLUTION PREVENTION PLAN**

- DURING CONSTRUCTION**
1. **POLLUTION PREVENTION TEAM:** THE CONTRACTOR SHALL BE RESPONSIBLE FOR CARRYING OUT THE PROVISIONS OF THIS PLAN. THE OWNER WILL PROVIDE OVERSIGHT AND MONITOR THE CONTRACTOR'S ACTIVITIES.
  2. **SWEEPING:** IMPERVIOUS SURFACES WITHIN AND BEYOND THE WORK SITE SHALL BE SWEEPED CLEAN OF SAND, SILT AND LITTER DAILY AT THE END OF THE WORK DAY.
  3. **OUTSIDE STORAGE:** ACCESSORIES OR EQUIPMENT STORED OUTSIDE SHALL BE COVERED OR MAINTAINED TO MINIMIZE POSSIBILITY OF THESE MATERIALS OR THEIR RESIDUE PASSING TO STORM WATER.
  4. **WASHING:** NO WASHING OF VEHICLES, ACCESSORIES, EQUIPMENT OR APPLIANCES IN WORK SITE.
  5. **MAINTENANCE AND INSPECTION:**
    - A. THE CONTRACTOR SHALL INSPECT, REPAIR AND/OR REPLACE EROSION CONTROL MEASURES EVERY 7 DAYS AND IMMEDIATELY FOLLOWING ANY RAINFALL OF 0.25" OR MORE AND AFTER SNOW MELT.
    - B. SEDIMENT DEPOSITS MUST BE REMOVED WHEN DEPOSITS REACH APPROXIMATELY ONE HALF THE HEIGHT OF THE BARRIER.
    - C. DAILY DUST CONTROL USING WATER, OR APPROVED EQUAL SHALL BE PROVIDED FOR ALL EARTH STOCKPILES, EARTH PILED ALONG EXCAVATIONS, SURFACES OF BACKFILLED TRENCHES AND GRAVELED SURFACES.
  6. **FUELING OF VEHICLES AND EQUIPMENT**
    - A. REFUELING OF VEHICLES AND EQUIPMENT SHALL TAKE PLACE WITHIN THE WORK AREA AND SHALL BE DONE A MINIMUM OF 100-FOOT UPGRADE OF THE EDGE OF RIVER.
    - B. REFUELING SHALL BE DONE OVER A TEMPORARY PORTABLE SPILL CONTAINMENT BERM.
  7. **SPILLS OR ACCIDENTAL DISCHARGES:**
    - A. A SPILL CONTAINMENT KIT SUITABLE FOR OIL AND WATER BASED PRODUCTS SHALL BE MAINTAINED ONSITE AT ALL TIMES.
    - B. COMPLY WITH STATE AND FEDERAL REGULATIONS TO CONTAIN AND CLEAN UP ANY SPILL OR DISCHARGE AND DISPOSE OF MATERIALS AT AN APPROVED FACILITY.
    - C. CONTACT CONNECTICUT DEEP OIL AND CHEMICAL SPILL RESPONSE DIVISION (860) 424-3338
    - D. THE FOLLOWING STEPS SHOULD BE PERFORMED AS SOON AS POSSIBLE:
      - a. STOP THE SOURCE OF THE SPILL.
      - b. CONTAIN THE SPILL.
      - c. COVER SPILL WITH ABSORBENT MATERIAL FROM THE SPILL KIT OR OTHER ABSORBENT MATERIAL SUCH AS KITTY LITER, OR SAND/UST. DO NOT USE STRAW.
      - d. DISPOSE OF ABSORBER IN ACCORDANCE WITH LOCAL AND STATE REGULATIONS.

**TEMPORARY VEGETATIVE COVER**

A TEMPORARY SEEDING OF RYE GRASS WILL BE COMPLETED WITHIN 15 DAYS OF THE FORMATION OF STOCKPILES. IF THE SOIL IN THE STOCKPILES HAS BEEN COMPACTED BY CONSTRUCTION OPERATIONS IT SHALL BE LOOSENED TO A DEPTH OF 2 INCHES BEFORE THE FERTILIZER, LIME AND SEED IS APPLIED. 10-10-10 FERTILIZER AT A RATE OF 7.5 POUNDS PER 1000 S.F. LIMESTONE AT A RATE OF 90 LBS. PER 1000 S.F. SHALL BE USED. RYE GRASS APPLIED AT A RATE OF 1 LB. PER 1000 S.F. SHALL PROVIDE THE TEMPORARY VEGETATIVE COVER. STRAW FREE FROM WEEDS AND COARSE MATTER SHALL BE USED AT A RATE OF 70-90 LBS. PER 1000 S.F. AS A TEMPORARY MULCH. APPLY MULCH AND DRIVE TRACKED EQUIPMENT UP AND DOWN SLOPE OVER ENTIRE SURFACE SO CLEAT MARKS ARE PARALLEL TO THE CONTOURS.

**PERMANENT VEGETATIVE COVER**

TOPSOIL WILL BE REPLACED ONCE THE EXCAVATIONS HAVE BEEN COMPLETED AND THE SLOPES ARE GRADED AS SHOWN ON THE PLANS. PROVIDE SLOPE PROTECTION AS CALLED FOR ON THE PLANS AND DETAILS. TOPSOIL SHALL BE SPREAD AT A MINIMUM COMPACTED DEPTH OF 6 INCHES. ONCE THE TOPSOIL HAS BEEN SPREAD, ALL STONES TWO INCHES OR LARGER IN ANY DIMENSION WILL BE REMOVED AS WELL AS DEBRIS.

- APPLY AGRICULTURAL GROUND LIMESTONE AT THE RATE OF TWO TONS PER ACRE OR 100 LBS. PER 1000 S.F.
- APPLY 10-10-10 FERTILIZER OR EQUIVALENT AT A RATE OF 300 LBS. PER ACRE OR 7.5 LBS. PER 1000 S.F.
- WORK LIMESTONE AND FERTILIZER INTO THE SOIL TO A DEPTH OF 4 INCHES.
- INSPECT SEEDBED BEFORE SEEDING.
- IF TRAFFIC HAS COMPACTED THE SOIL, RETILL COMPACTED AREAS.
- APPLY THE FOLLOWING GRASS SEED MIX:

**TYPICAL SEED MIXTURE**

ALL DISTURBED AREAS	LBS./ACRE	LBS./1000 S.F.
KENTUCKY BLUEGRASS	20	0.45
CREeping RED FESCUE	20	0.45
PERENNIAL RYEGRASS	5	0.10
	45	1.00

**TYPICAL SEED MIXTURE FOR NON-MOWED SLOPES (3:1 OR STEEPER)**

CT DEP SEED MIX NO. 26	LBS./ACRE	LBS./1000 S.F.
SWITCHGRASS (BLACKWELL, SHELTER, CAVE-IN-ROCK)	4.0	0.10
BIG BLUESTEM (NIAGRA, KAW)	4.0	0.10
LITTLE BLUESTEM (BLAZE, ALDOUS, CAMPER)	2.0	0.05
SAND LOVEGRASS (NE-27, BEND)	1.5	0.03
BIRD'S-FOOT TREFOIL (EMPIRE VIKING)	2.0	0.05
	13.5	0.33

**TYPICAL SEED MIXTURE FOR WATER QUALITY BASIN -- SEE BELOW**

THE RECOMMENDED SEEDING DATES ARE:  
APRIL 1 - JUNE 15 AND AUGUST 15 - OCTOBER 15

IMMEDIATELY FOLLOWING SEEDING, FIRM SEED BED WITH A ROLLER AND MULCH WITH WEED FREE STRAW. IF PERMANENT VEGETATIVE COVER IS HAS NOT BEEN ESTABLISHED BY OCTOBER 15, APPLY A TEMPORARY VEGETATIVE COVER ON THE TOPSOIL.

**VEGETATIVE COVER WATER QUALITY BASINS**

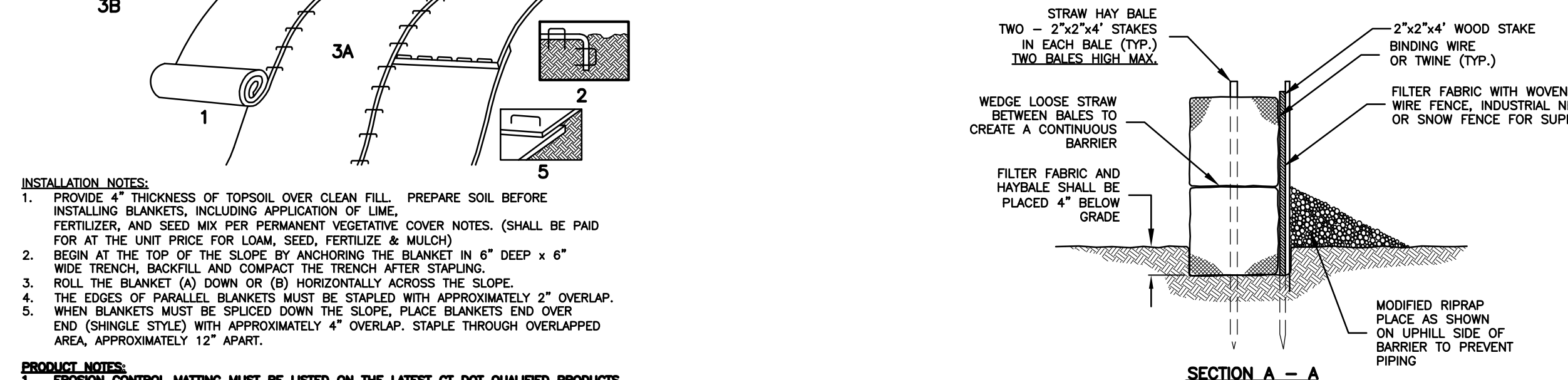
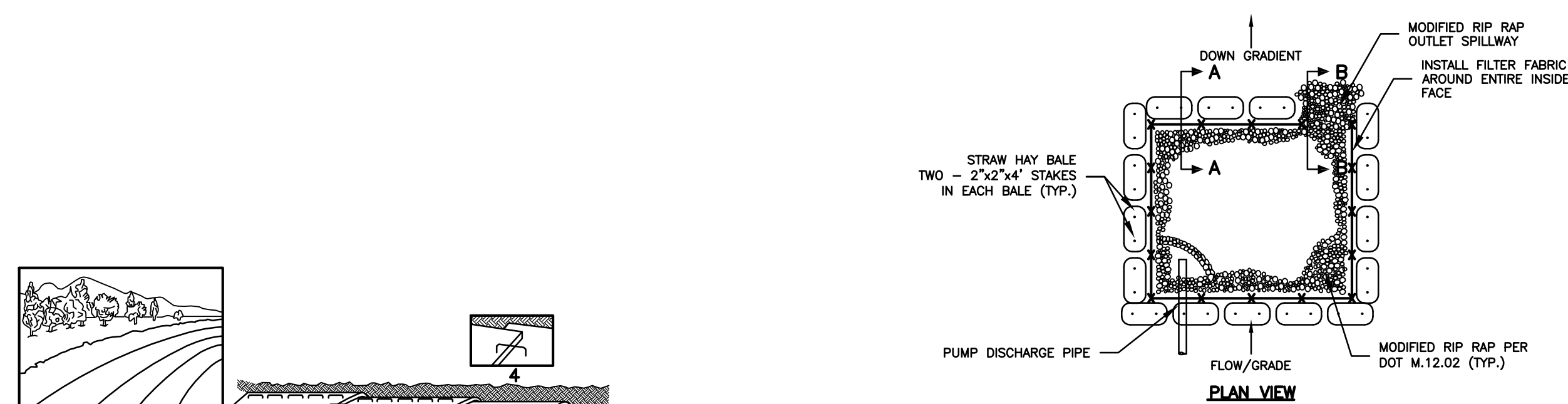
SEED MIXTURE FOR SETTLING BASINS SHALL BE THE "NEW ENGLAND EROSION CONTROL/RESTORATION MIX FOR MOIST SITES" FROM NEW ENGLAND WETLAND PLANTS, AMHERST, MA, TELEPHONE NO. 413-548-8000

THE BEST RESULTS ARE OBTAINED WITH A SPRING SEEDING. SUMMER AND FALL SEEDING REQUIRE A LIGHT MULCHING OF WEED FREE STRAW TO CONSERVE MOISTURE. LATE FALL AND WINTER DORMANT SEEDING REQUIRE A 10% INCREASE IN THE SEEDING RATE. FERTILIZATION IS NOT REQUIRED UNLESS THE SOILS ARE PARTICULARLY INFERTILE.

**WATER QUALITY SEED MIXTURE**

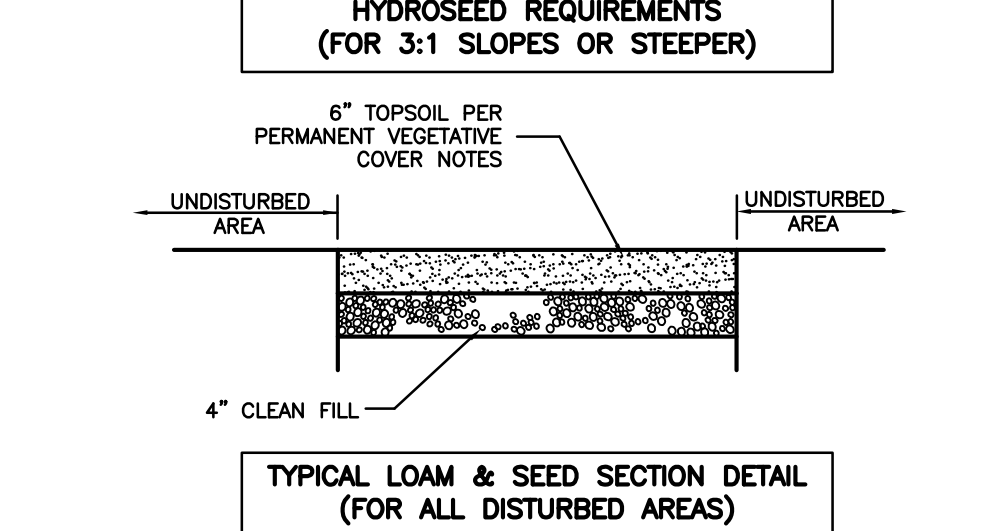
NEW ENGLAND EROSION CONTROL/RESTORATION MIX FOR DETENTION BASINS AND MOIST SITES	LBS./ACRE	LBS./1000 S.F.
	35	0.80

SPECIES: Virginia Wild Rye, (*Elymus virginicus*), Creeping Red Fescue, (*Festuca rubra*), Little Bluestem, (*Schizachyrium scoparium*), Big Bluestem, (*Andropogon gerardi*), Fox Sedge, (*Carex vulpinoidea*), Switch Grass, (*Panicum virgatum*), Rough Bentgrass, (*Agrostis scabra*), New England Aster, (*Aster novae-angliae*), Boneset, (*Eupatorium perfoliatum*), Grass Leaved Goldenrod, (*Euthamia graminifolia*), Green Bulrush, (*Scirpus atrovirens*), Blue Vervain, (*Verbena hastata*), Soft Rush, (*Juncus effusus*), Wool Grass, (*Scirpus cyperinus*)



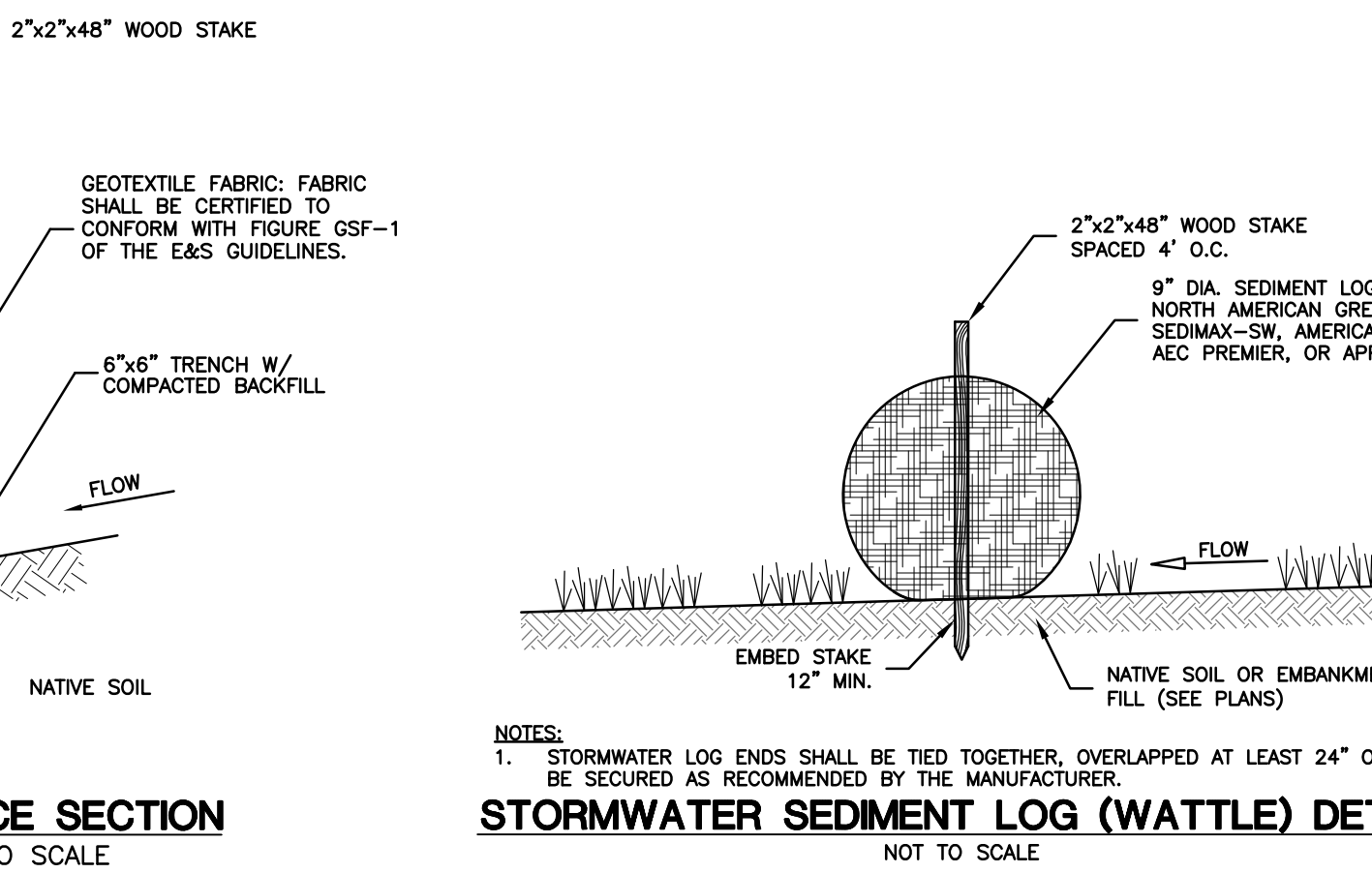
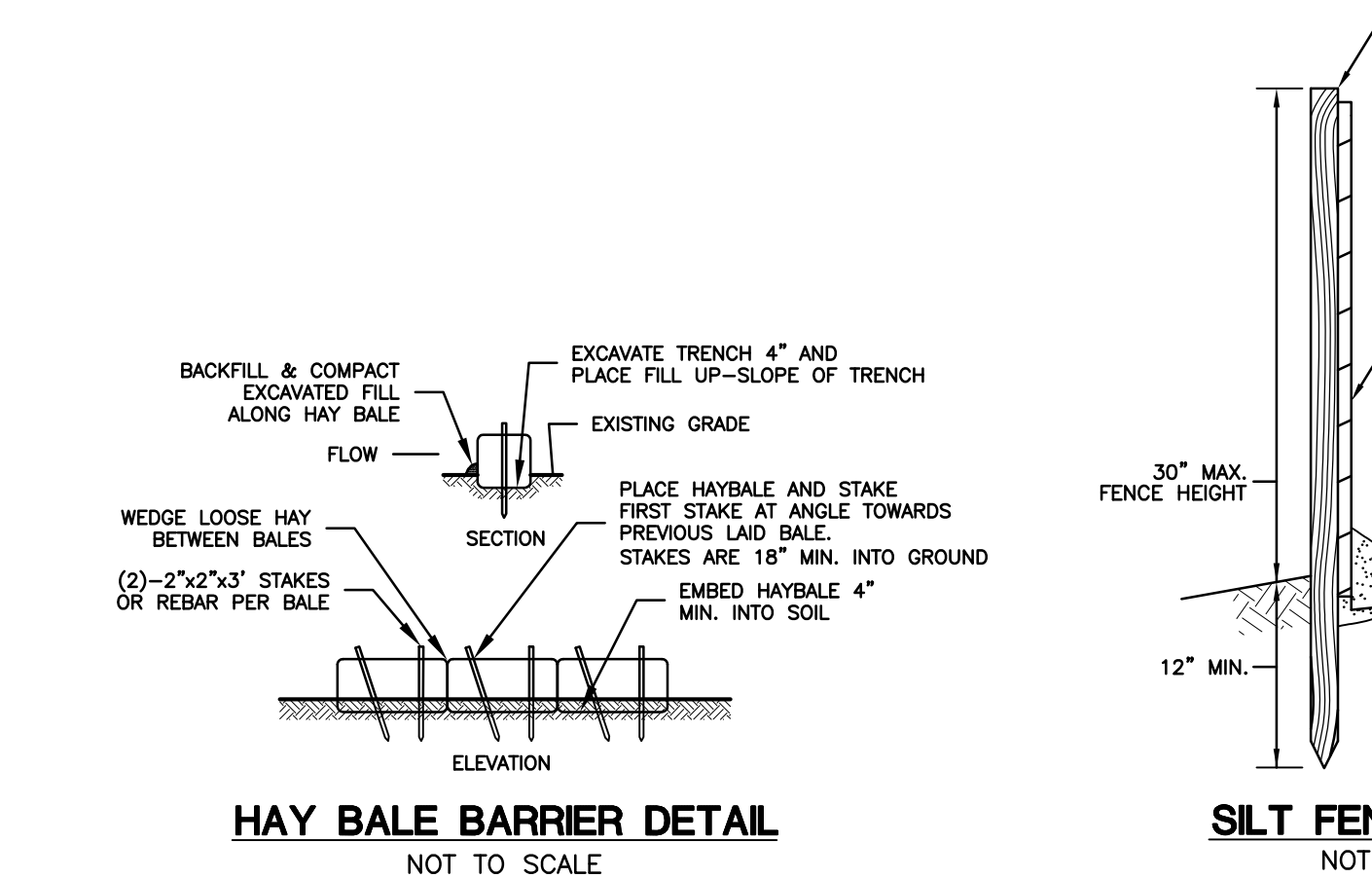
**EROSION CONTROL MATTING DETAIL (FOR 3:1 SLOPES OR STEEPER)**

- NOTES:
1. HYDROSEED SHALL BE INSTALLED IN ACCORDANCE WITH SECTION 9.50.3.b OF DOT FORM 818.
  2. BONDED FIBER MATRIX (BFM) OR FLEXIBLE GROWTH MEDIUM (FGM) MUST BE INCLUDED IN THE HYDROSEED SLURRY. MIX RATE PERCENTAGES SHALL BE IN ACCORDANCE WITH THE MANUFACTURERS RECOMMENDATIONS FOR THE FINISHED SLOPES. THE FOLLOWING ARE ACCEPTABLE PRODUCTS:
    - A. PROFILE FLEXITERRA FGM
    - B. PROFILE HYDRO-BLANKET BONDED FIBER MATRIX
    - C. MAT, INC. SOIL GUARD BONDED FIBER MATRIX
    - D. NORTH AMERICAN GREEN HYDRA GT OR HYDRA CM
  3. THE REQUIRED SEED MIX SHALL BE IN ACCORDANCE WITH THE PERMANENT VEGETATIVE COVER NOTES. ALL APPLICATION RATES SHALL BE INCREASED BY 10% FOR HYDROSEEDING.
  4. THE CONTRACTOR SHALL ENSURE 100% COVERAGE OF THE DISTURBED SOIL.



**TYPICAL LOAM & SEED SECTION DETAIL (FOR ALL DISTURBED AREAS)**

**SLOPE STABILIZATION DETAILS NOT TO SCALE**



**STORMWATER SEDIMENT LOG (WATTLE) DETAIL NOT TO SCALE**

No.	DATE	REVISION
2	10/21/2022	Permit Set
1	6/16/2022	Misc. Additions & Revisions

**CLA Engineers, Inc.**  
CIVIL · STRUCTURAL · SURVEYING

317 Main Street Norwich, CT 06360  
(860) 886-1966 Fax (860) 886-9165

Town of Montville, Connecticut  
310-Norwich-New London Tpke, Uncasville, CT 06382

**Town Boat Launch Improvements and Fishing Pier Construction**

55 Dock Road, Uncasville, CT 06382

Stormwater Management Plan and Erosion & Sedimentation Control Details

Project No. CLA-7187  
Proj. Engineer K.J.H.  
Date: May 2022  
Sheet No. **8**

**DEVELOPMENT**

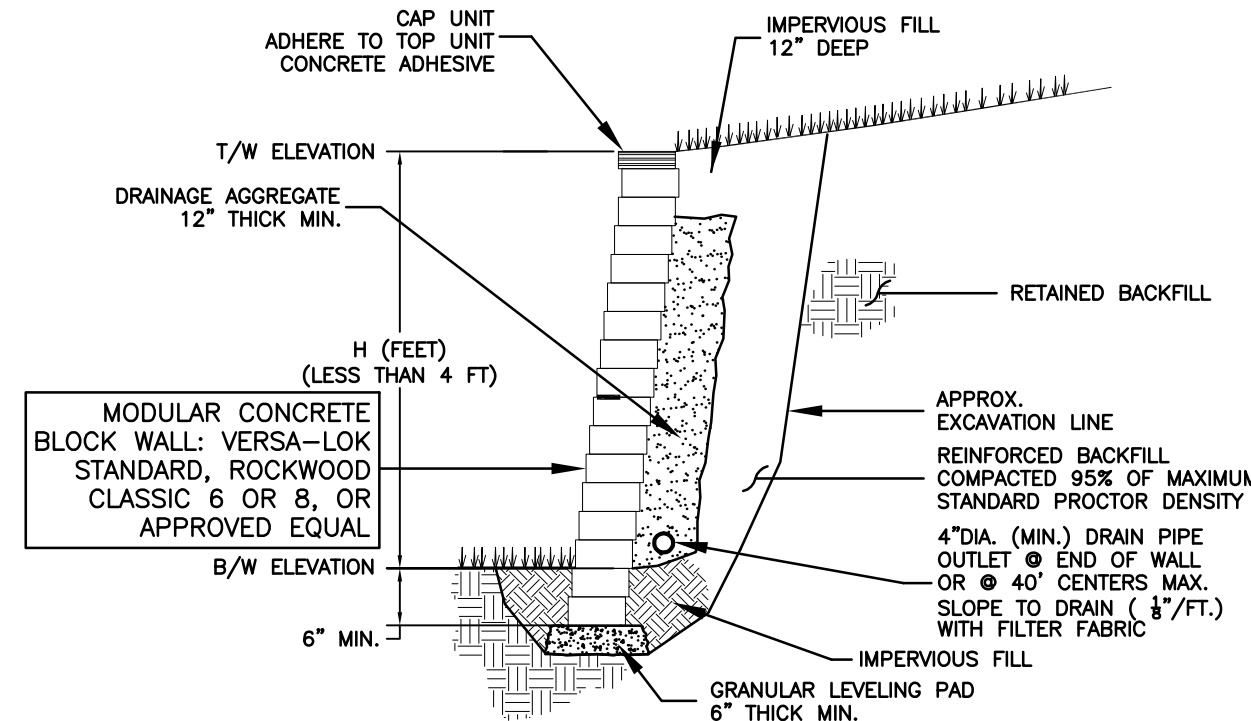
THE PROPOSED DEVELOPMENT IS A RECONSTRUCTION OF AN EXISTING MUNICIPAL BOAT LAUNCH AND ASSOCIATED SITE IMPROVEMENTS AS SHOWN ON THE PLANS.

THE PROPOSED PROJECT WILL DISTURB APPROXIMATELY 0.6 ACRES.

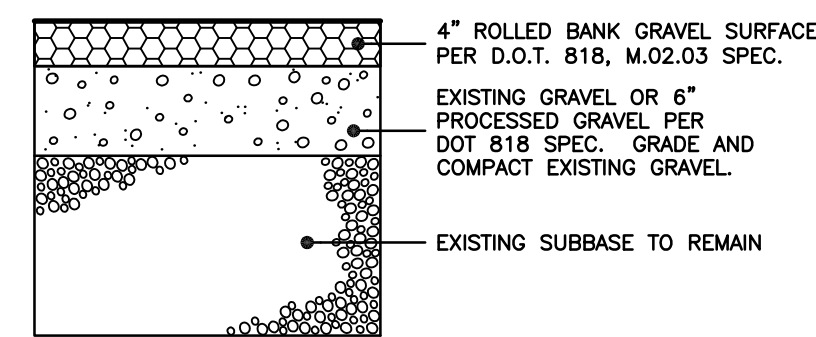
1. THE THAMES RIVER IS A TIDAL RIVER.
2. WORK WILL BE PERFORMED BELOW THE CTDEEP COASTAL JURISDICTION LINE (EL. 2.3).
3. THERE ARE NO INLAND WETLANDS ONSITE.
4. THE PROJECT IS LOCATED ENTIRELY WITHIN THE 100-YEAR FLOOD PLAIN (FIRM MAP #001100381J, MAP EFF. AUGUST 5, 2013).
5. THE PROJECT IS LOCATED ENTIRELY WITHIN A 1 DEEP NATURAL DIVERSITY DATABASE AREA.
6. THE PROJECT IS LOCATED ENTIRELY WITHIN THE COASTAL MANAGEMENT AREA.
7. NO PORTION OF THE LOT LIES WITHIN THE AQUIFER PROTECTION AREA.

**GENERAL NOTES**

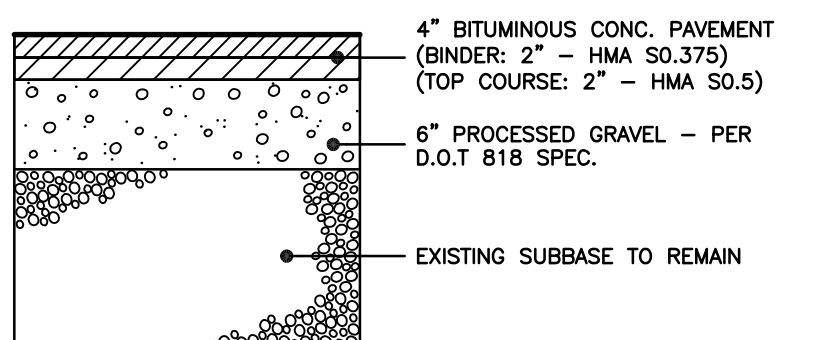
1. PRIOR TO CONSTRUCTION, THE CONTRACTOR SHALL VISIT THE SITE TO VERIFY EXISTING CONDITIONS.
2. EXISTING PROPERTY LINES AND RIGHT-OF-WAY LINES WHERE SHOWN ARE APPROXIMATE AND ARE INTENDED FOR GENERAL INFORMATION ONLY.
3. EXISTING GROUND LINE AS SHOWN ON THESE PLANS IS BASED ON FIELD SURVEY PERFORMED BY CLA ENGINEERS INC.
4. CONTRACTOR SHALL CONTACT "CALL BEFORE YOU DIG" AT 811 AT LEAST TWO FULL WORKING DAYS PRIOR TO THE START OF CONSTRUCTION.
5. INFORMATION SHOWN ON THE DRAWINGS RELATING TO MATERIALS, CONDITIONS, AND/OR LOCATIONS OF EXISTING STRUCTURES AND UTILITIES HAS BEEN COMPILED FROM AVAILABLE INFORMATION INCLUDING FIELD SURVEY, UTILITY COMPANY AND TOWN RECORD MAPS AND DRAWINGS, AND IS NOT GUARANTEED ACCURATE OR COMPLETE. ALL UTILITIES SHALL BE LOCATED IN THE FIELD BY THE CONTRACTOR. NEITHER THE OWNER NOR THE ENGINEER WARRANTS OR GUARANTEES THE CONDITIONS SHOWN ON THE PLANS.
6. THE CONTRACTOR SHALL EXCAVATE TEST PITS AS NEEDED OR AS DIRECTED BY THE OWNER TO VERIFY EXISTING UTILITY INFORMATION AND LOCATIONS.
7. **MAINTENANCE AND PROTECTION OF TRAFFIC:**
  - A. THE CONTRACTOR SHALL BE SOLELY RESPONSIBLE FOR ALL MAINTENANCE AND PROTECTION OF TRAFFIC, TRAFFIC CONTROL, TEMPORARY SIGNING OR BARRICADES, AND TEMPORARY LANE CLOSURES. CONTINUOUS ACCESS FOR BUSES AND EMERGENCY VEHICLES SHALL BE MAINTAINED AT ALL TIMES.
  - B. PASSAGE OF TRAFFIC ON ROADWAYS: A MINIMUM OF ONE LANE FOR TRAFFIC SHALL BE MAINTAINED AT ALL TIMES. THE CONTRACTOR SHALL PERFORM HIS OPERATIONS TO MINIMIZE DISRUPTIONS TO TRAFFIC WITHIN THE PROJECT SITE.
  - C. RESIDENTS OR BUSINESSES WITH DRIVES AFFECTED BY CONSTRUCTION SHALL BE NOTIFIED BY THE CONTRACTOR AT LEAST 48 HOURS BEFORE CONSTRUCTION BEGINS AND SHALL BE ALLOWED CONTINUOUS ACCESS TO THEIR PROPERTY.
  - D. THE WORK AREA SHALL BE CLOSED TO ALL TRAFFIC AS SHOWN ON THE PROJECT PLANS. THE CONTRACTOR SHALL PROVIDE AND MAINTAIN ALL TEMPORARY SIGNS, BARRICADES, AND FACILITIES NECESSARY TO TEMPORARILY CLOSE THE SITE.
8. CONSTRUCTION SIGNS MUST CONFORM TO THE SIGNING REQUIREMENTS OUTLINED IN THE "MANUAL ON UNIFORM TRAFFIC CONTROL DEVICES (MUTCD)". ALL SIGN FACES SHALL BE REFLECTORIZED.
9. ALL PROPOSED WORK MAY BE VARIED IN THE FIELD BY THE OWNER TO MATCH EXISTING CONDITIONS.
10. THE CONTRACTOR SHALL CONFINE HIS OPERATIONS AND ACTIVITIES FOR CONSTRUCTION PURPOSES WITHIN THE STREET LINES AND/OR EASEMENTS AS SHOWN ON THE DRAWINGS. THE CONTRACTOR SHALL BE RESPONSIBLE FOR ANY DAMAGE TO EXISTING PAVEMENT, ROADWAY, SIDEWALKS, ETC., OUTSIDE OF THE WORK AREA AND SHALL REPAIR SUCH DAMAGE AT NO ADDITIONAL COST TO THE OWNER.
11. UPON COMPLETION OF THE WORK, ALL DISTURBED AREAS SHALL BE RESTORED TO A CONDITION EQUAL TO OR BETTER THAN EXISTED PRIOR TO CONSTRUCTION.
12. ALL STREET SIGNS, MAILBOXES, PLANTINGS, ORNAMENTAL OBJECTS, LIGHTS, LANDSCAPE SHRUBBERY, ETC., SHALL BE PROTECTED FROM DAMAGE AND SHALL BE REPLACED IN THE SAME OR BETTER CONDITION BY THE CONTRACTOR IF DISTURBED OR DAMAGED BY THE CONTRACTOR DURING CONSTRUCTION.
13. RESIDENTS WITH DRIVES AFFECTED BY CONSTRUCTION SHALL BE NOTIFIED BY THE CONTRACTOR AT LEAST 48 HOURS BEFORE CONSTRUCTION BEGINS AND SHALL BE ALLOWED ACCESS TO THEIR PROPERTY.
14. THE CONTRACTOR SHALL MAINTAIN A SET OF RECORD DRAWINGS WHICH SHALL BE SUBMITTED TO THE ENGINEER AT THE COMPLETION OF THE PROJECT.
15. THE CONTRACTOR SHALL BE RESPONSIBLE FOR RESETTING TO GRADE ALL FRAMES, GRATES, COVERS, VALVE BOXES, ACCESS COVERS, AND ALL OTHER ITEMS WHICH NORMALLY MUST HAVE A FIXED RELATION TO FINISHED GRADE.
16. THE CONTRACTOR SHALL BE RESPONSIBLE FOR THE TEMPORARY AND PERMANENT SUPPORT OF ALL UTILITY POLES IN AN ADJACENT TO THE CONSTRUCTION AREA AND SHALL COMPLY WITH ALL THE REQUIREMENTS AND SPECIAL DETAILS FOR THE SUPPORT OF UTILITIES REQUIRED BY UTILITY AGENCIES. ALL COSTS FOR TEMPORARILY SUPPORTING UTILITY POLES DURING CONSTRUCTION SHALL BE INCLUDED IN OTHER ITEMS.
17. IF BLASTING IS PERFORMED A PRE-BLAST SURVEY WILL BE REQUIRED. ANY AND ALL BLASTING SHALL CONFORM TO THE REGULATIONS SET FORTH BY THE TOWN AND SHALL BE APPROVED BY THE APPROPRIATE TOWN AGENCIES AND ADJACENT UTILITY OWNERS.
18. THE CONTRACTOR SHALL BE RESPONSIBLE FOR ALL CONSTRUCTION SURVEY AND STAKEOUT AS THEY NEED. SURVEY BASE INFORMATION AND LAYOUT WILL BE PROVIDED TO THE CONTRACTOR PRIOR TO THE START OF CONSTRUCTION.
19. **MATERIAL STOCKPILE AND STAGING AREAS:** STOCKPILE AND STAGING AREAS ARE SHOWN ON THE PROJECT PLANS. IF ADDITIONAL AREA IS REQUIRED THE CONTRACTOR SHALL BE RESPONSIBLE FOR LOCATING ADDITIONAL STOCKPILE, MATERIAL STORAGE AND EQUIPMENT STORAGE AREAS. PRIOR TO THE START OF CONSTRUCTION THE CONTRACTOR SHALL IDENTIFY THESE AREAS AND PROVIDE EROSION AND SEDIMENTATION CONTROL MEASURES AS REQUIRED.
20. **DISPOSAL OF CONSTRUCTION MATERIALS:** CONTRACTOR IS ADVISED TO PAY PARTICULAR ATTENTION TO PROVISIONS OF SPECIAL CONDITIONS OF THE SPECIFICATIONS IN PREPARATION OF HIS BID. PRIOR TO THE START OF ANY CONSTRUCTION ACTIVITY, THE CONTRACTOR SHALL BE REQUIRED TO IDENTIFY ALL LOCATIONS WITHIN THE TOWN TO BE USED FOR DISPOSAL OF UNSUITABLE CONSTRUCTION MATERIALS.
21. **CLEARING AND GRUBBING:** ALL TREES, BRUSH, VEGETATION, ETC. SHALL BE CUT DOWN BY THE CONTRACTOR PRIOR TO CONSTRUCTION. CONTRACTOR SHALL GIVE ABUTTING PROPERTY OWNERS THE OPPORTUNITY TO TAKE CUT WOOD FOR THEIR PRIVATE USE. IT SHALL BE THE RESPONSIBILITY OF THE CONTRACTOR TO REMOVE ALL REMAINING STUMPS, CUT-UP TREES & LIMBS, ETC. WITHIN THE CONTRACT LIMITS. CONTRACTOR SHALL PROTECT REMAINING TREES FROM DAMAGE DURING CONSTRUCTION. TREES UNNECESSARILY CUT OR DAMAGED BY THE CONTRACTOR'S FORCES SHALL BE REPLACED, OF COMPARABLE SIZE AND TYPE, BY THE CONTRACTOR AT NO ADDITIONAL COST TO THE OWNER.
22. PERMANENT PAVEMENT MARKINGS SHALL CONFORM WITH ARTICLE 12.10 OF THE DOT FORM 818 SPECIFICATIONS.
23. ALL WORK TO CONFORM TO THE STATE OF CONNECTICUT DEPARTMENT OF TRANSPORTATION STANDARD SPECIFICATIONS FOR ROADS, BRIDGES AND INCIDENTAL CONSTRUCTION FORM 818, DATED JULY 2021, AS REVISED.



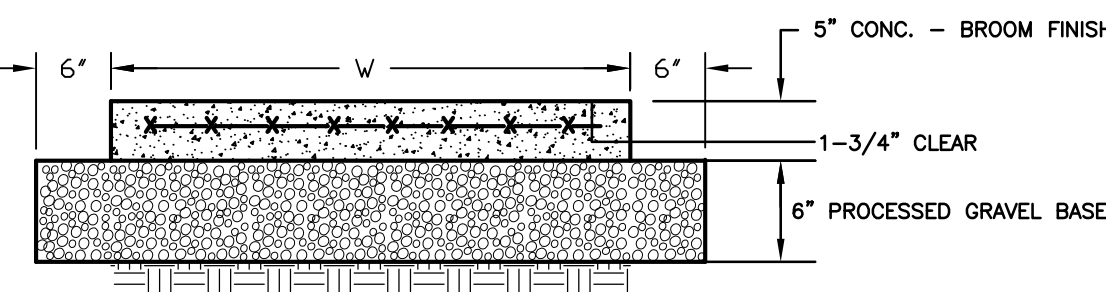
**CONCRETE BLOCK RETAINING WALL**  
NOT TO SCALE



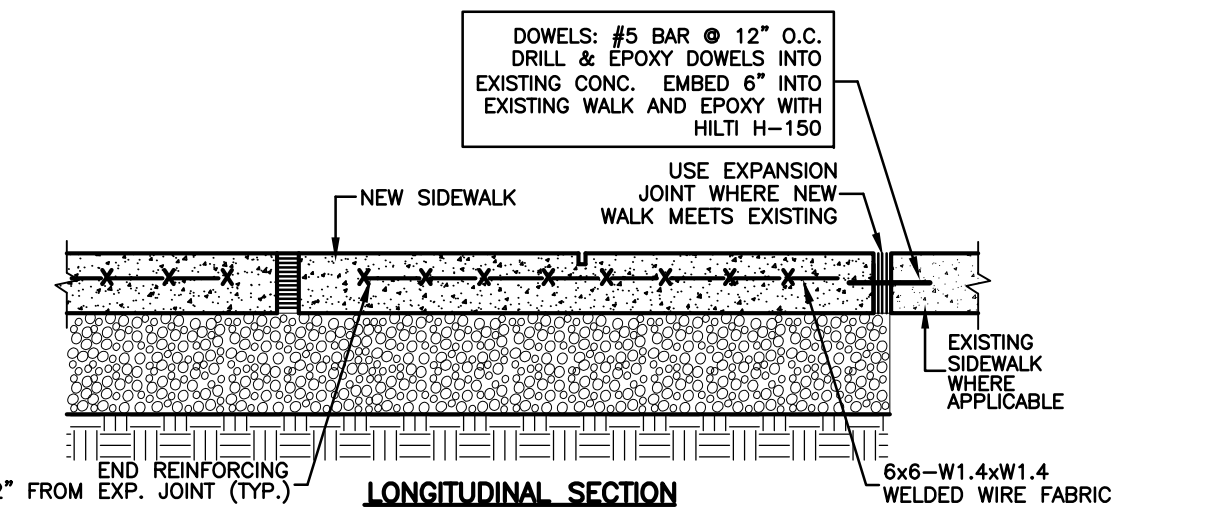
**TYPICAL GRAVEL DRIVE SECTION DETAIL**  
NOT TO SCALE



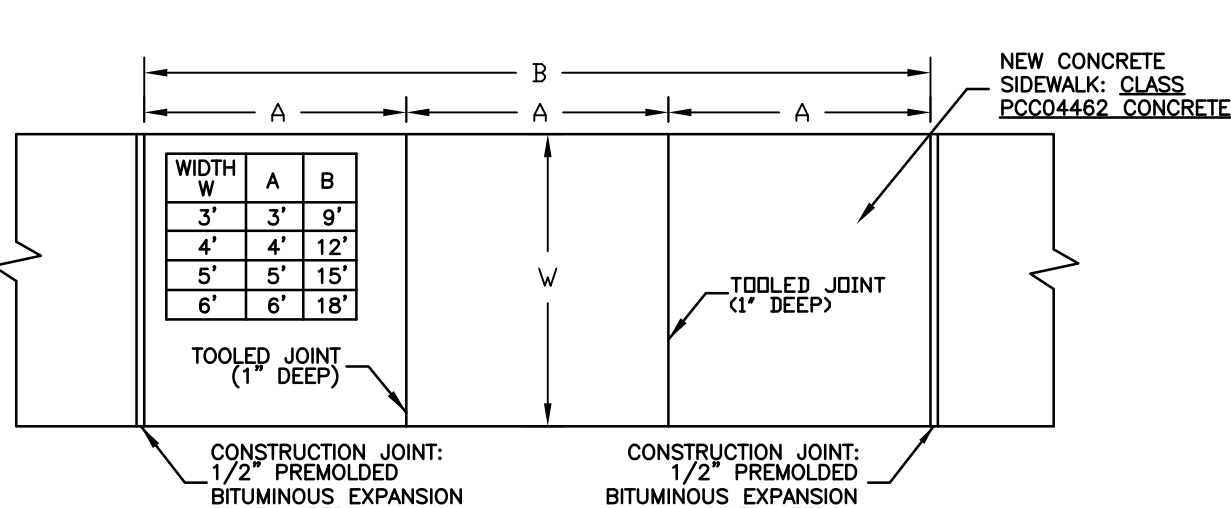
**TYPICAL PAVEMENT SECTION DETAIL**  
NOT TO SCALE



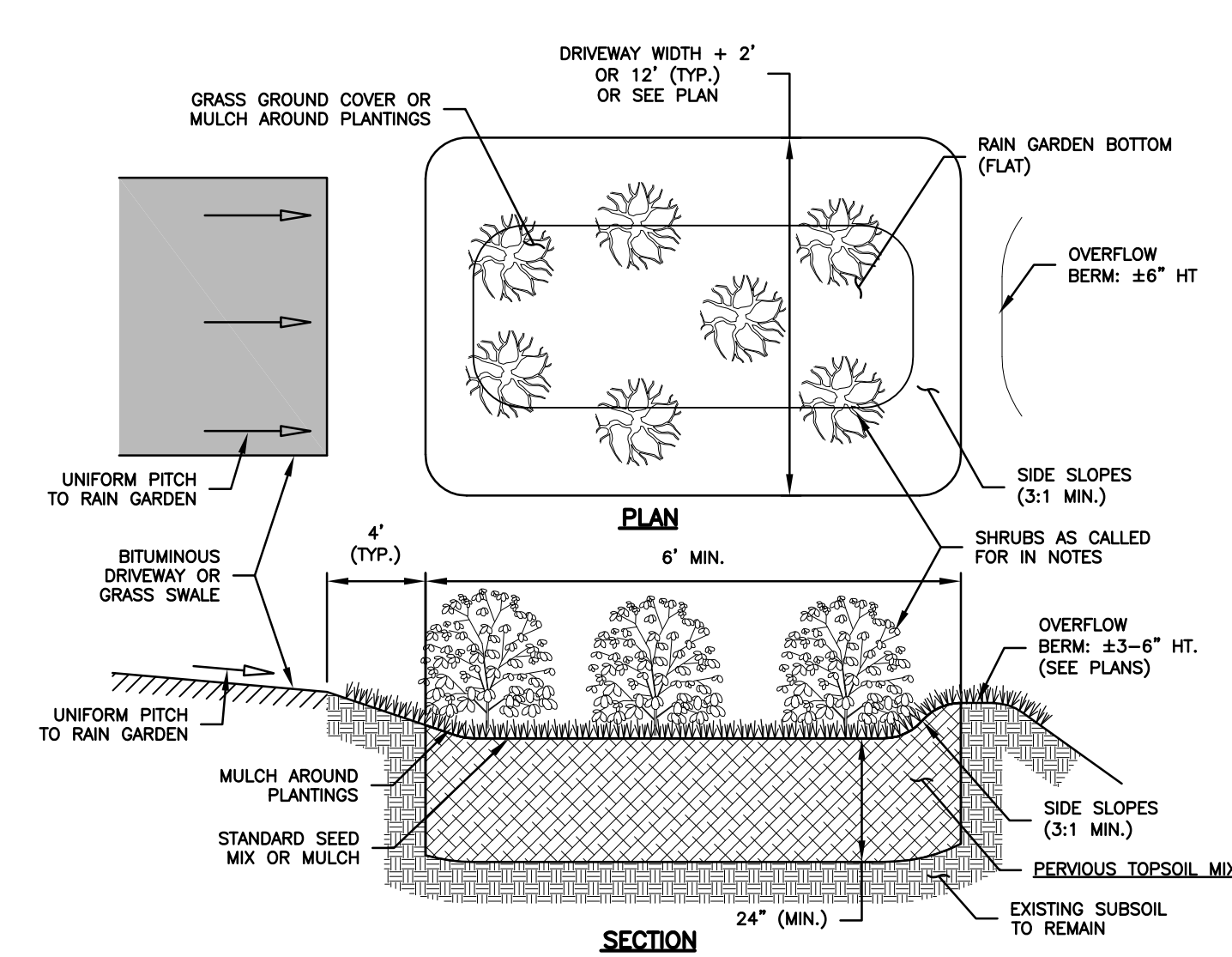
**CROSS SECTION**



**LONGITUDINAL SECTION**



**CONCRETE WALK & JOINT DETAIL**  
NOT TO SCALE

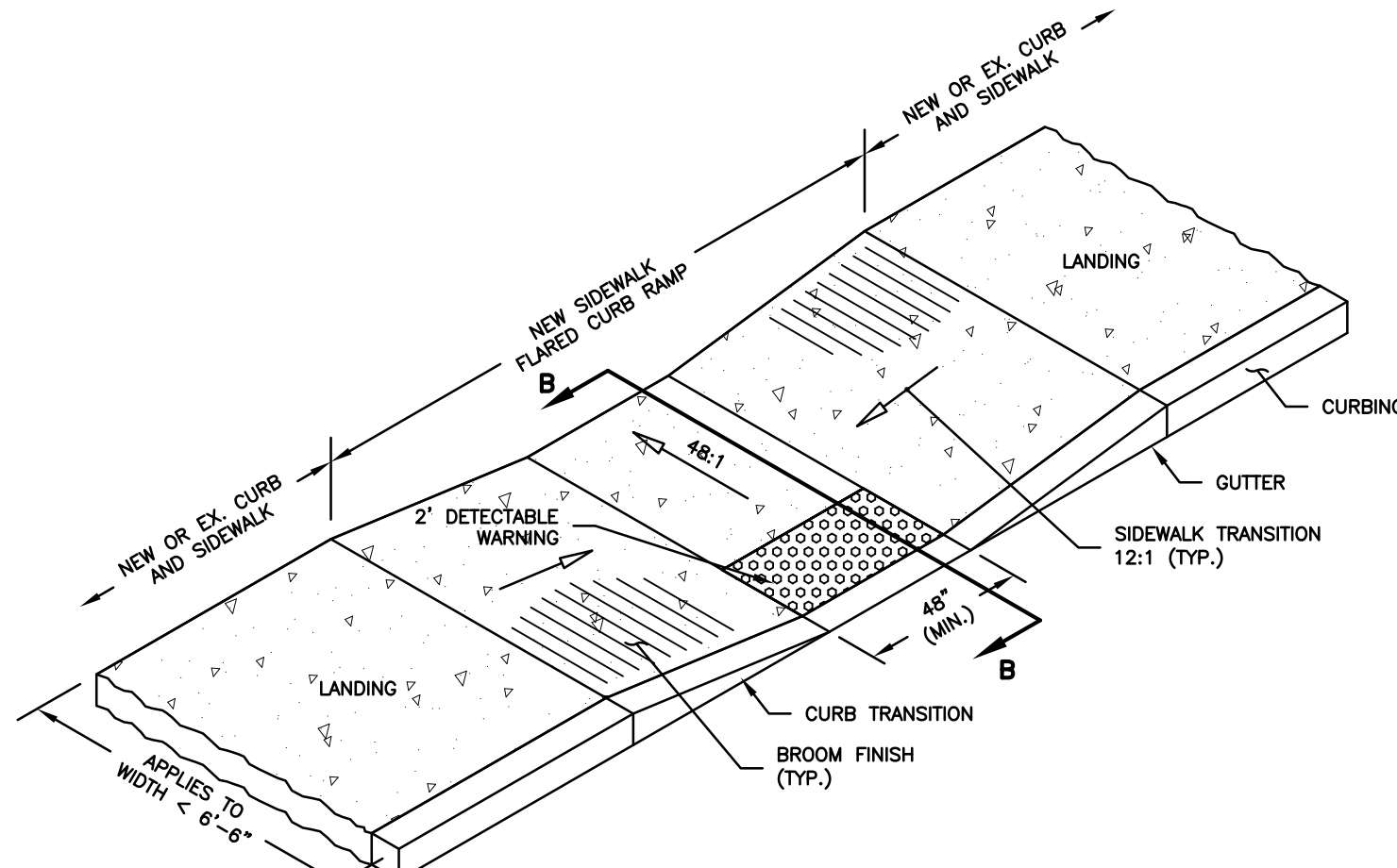


**SECTION**

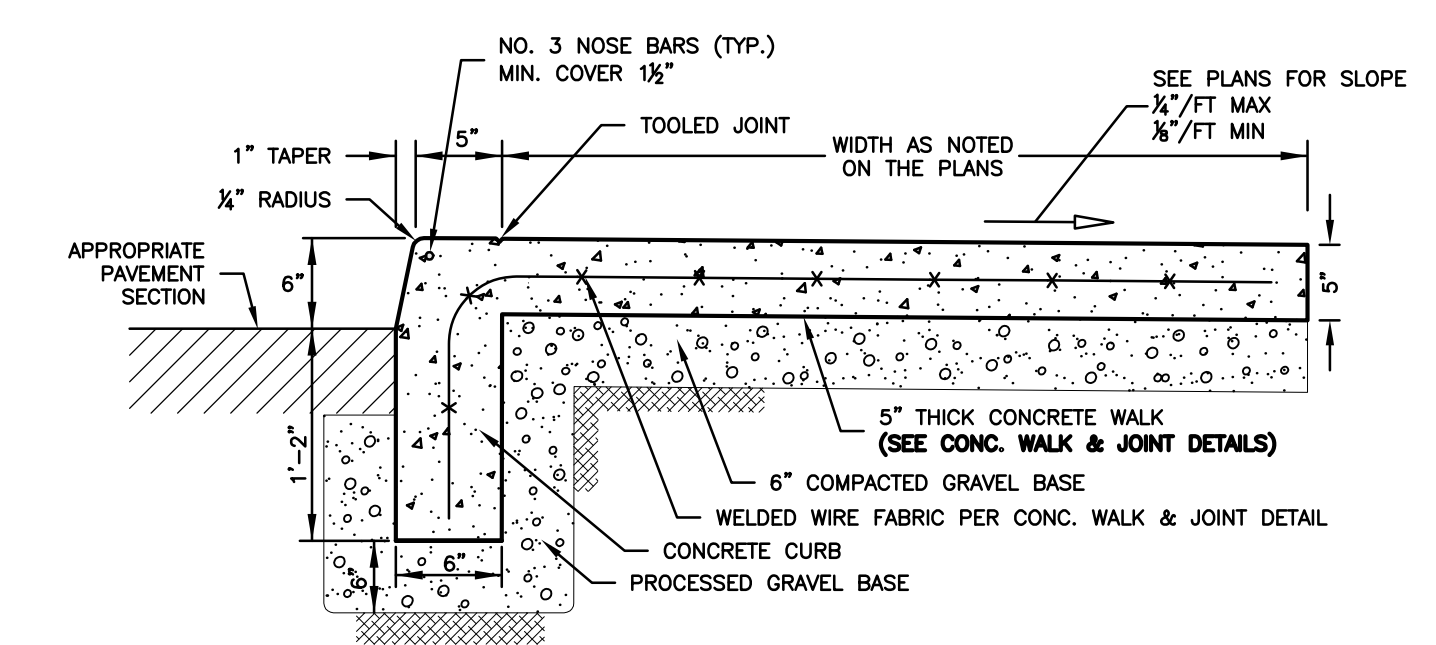
- NOTES:**
1. PERVIOUS TOPSOIL MIX SHALL MEET THE REQUIREMENTS OF DOT FORM 817, ARTICLE M.13.01.1 WITH THE FOLLOWING GRADATION:  

SIET	% PASSING
#10	100%
#40	60-80%
#80	5%
#200	0%
  2. DO NOT COMPACT MATERIAL DURING INSTALLATION.
  3. EXCAVATE RAIN GARDEN TO THE GRADES SPECIFIED WITH SIDEWALLS AS NEAR TO VERTICAL AS POSSIBLE. INSTALL PERVIOUS TOPSOIL MIX. DO NOT COMPACT TOPSOIL MIX.
  4. SEED MIX SHALL CONFORM TO THE REQUIREMENTS SPECIFIED IN THE VEGETATIVE COVER NARRATIVE HEREIN.
  5. INSTALL SHRUBS AND ALL PLANTINGS IN CONFORMANCE WITH THE CONSTRUCTION DETAILS AND LANDSCAPING NOTES HEREIN.
- LANDSCAPE SCHEDULE:**
1. EACH WATER QUALITY BASIN SHALL BE PLANTED IN ACCORDANCE WITH THE LANDSCAPE SCHEDULE.
- MAINTENANCE:**
1. MOW BOTTOM, AS NEEDED.
  2. REPLENISH MULCH AROUND PLANTINGS YEARLY, AS NEEDED.
  3. REMOVE SEDIMENT AND LEAF LITTER TWICE YEARLY:  
 A. BETWEEN NOVEMBER 15 AND DECEMBER 15 (AFTER LEAF FALL)  
 B. DURING APRIL (AFTER SNOW MELT)

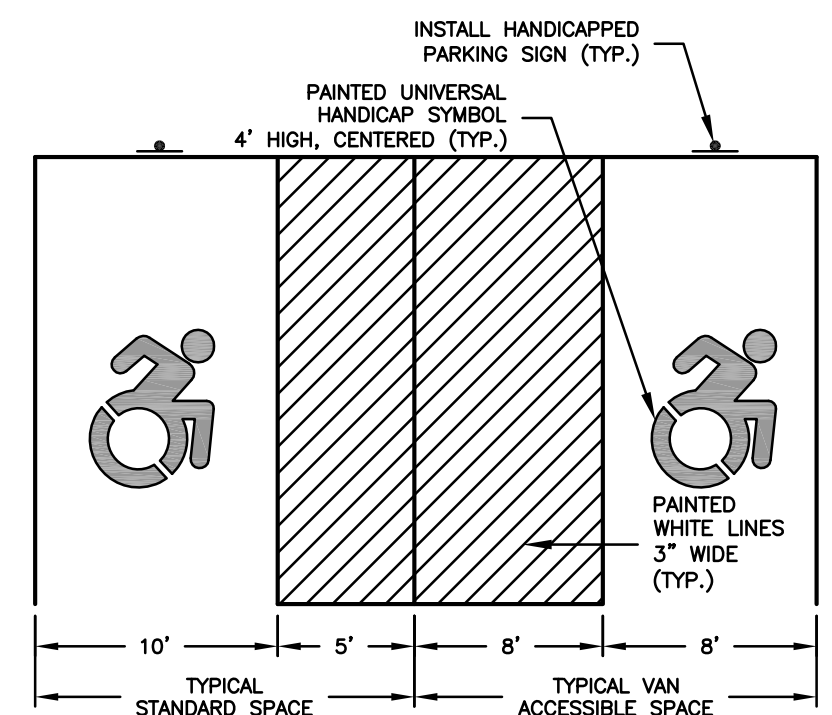
**TYPICAL WATER QUALITY BASIN DETAILS**  
NOT TO SCALE



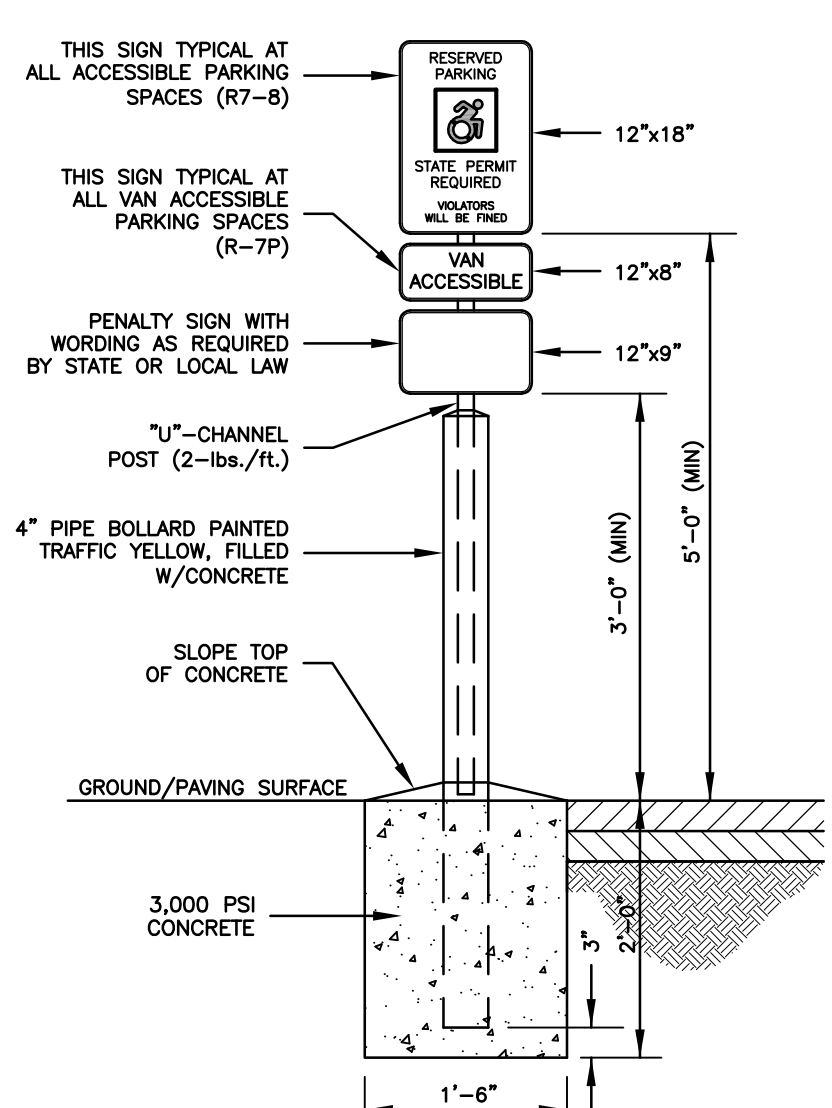
**PARALLEL SIDEWALK RAMP (TYPE 1)**  
NOT TO SCALE



**SINGLE POUR CONCRETE CURB & SIDEWALK**  
NOT TO SCALE



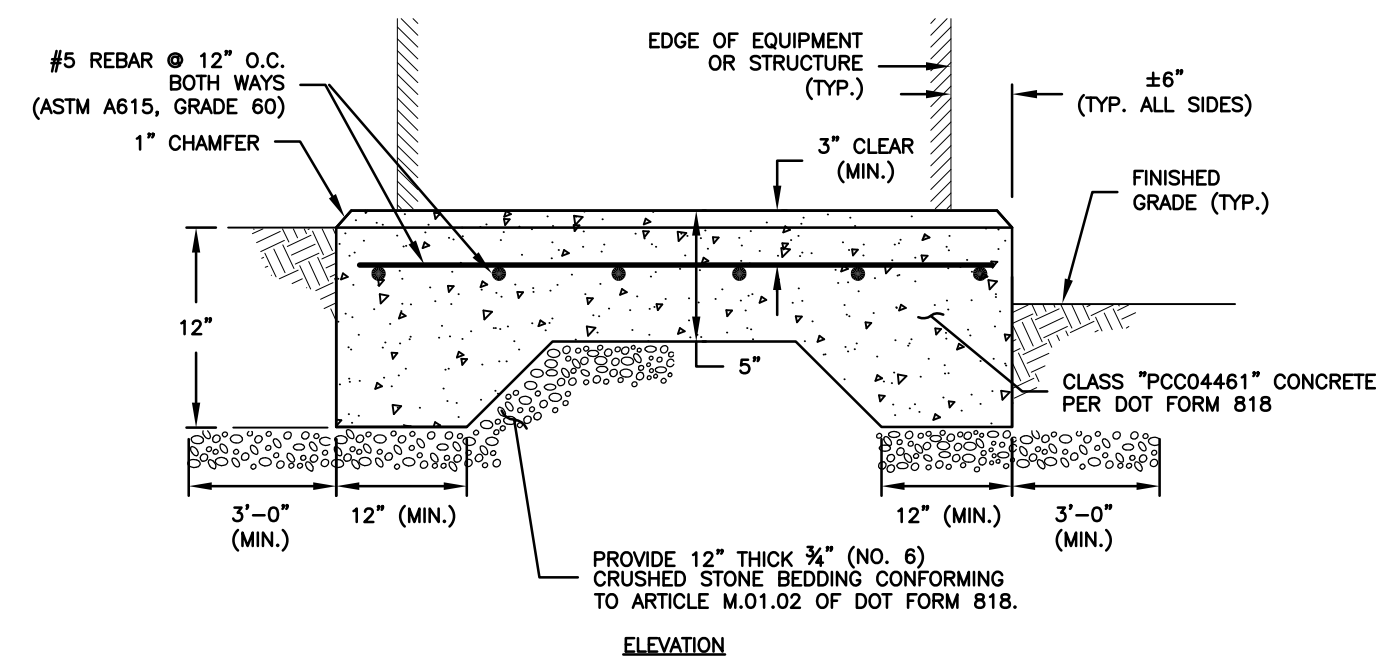
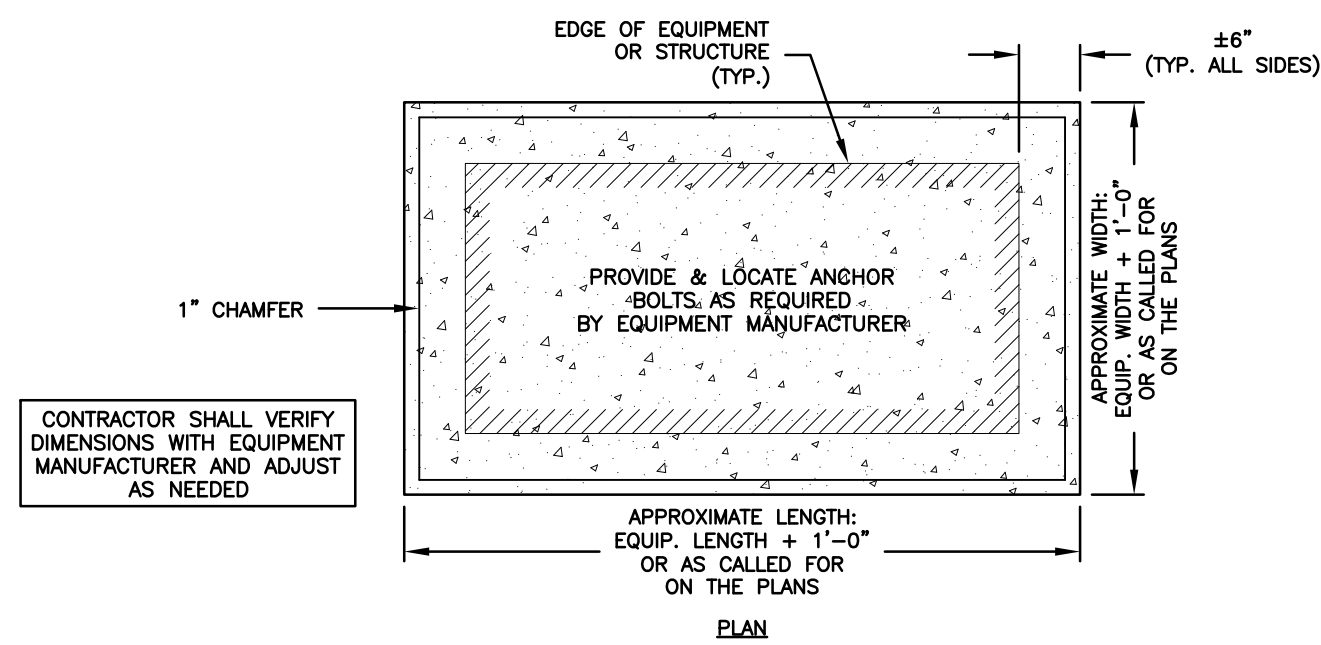
**ADA ACCESSIBLE PARKING SPACE DETAIL**  
NOT TO SCALE



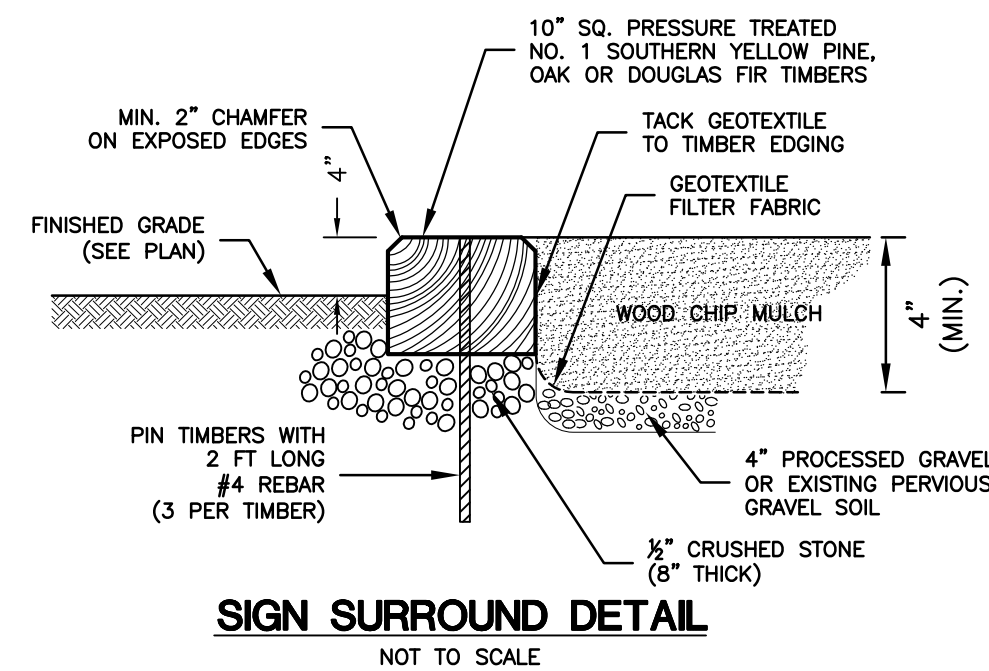
**ADA ACCESSIBLE PARKING SIGN DETAIL**  
NOT TO SCALE

		<b>CLA Engineers, Inc.</b> CIVIL · STRUCTURAL · SURVEYING	
		317 Main Street Norwich, CT 06360 (860) 886-1966 Fax (860) 886-9165	
2 10/21/2022 1 6/16/2022	Permit Set Misc. Additions & Revisions	Project No. CLA-7187 Proj. Engineer K.J.H. Date: May 2022 Sheet No. 9	
Town of Montville, Connecticut 310-Norwich-New London Tpke, Uncasville, CT 06382 <b>Town Boat Launch Improvements and Fishing Pier Construction</b> 55 Dock Road, Uncasville, CT 06382 Construction Details & Notes			

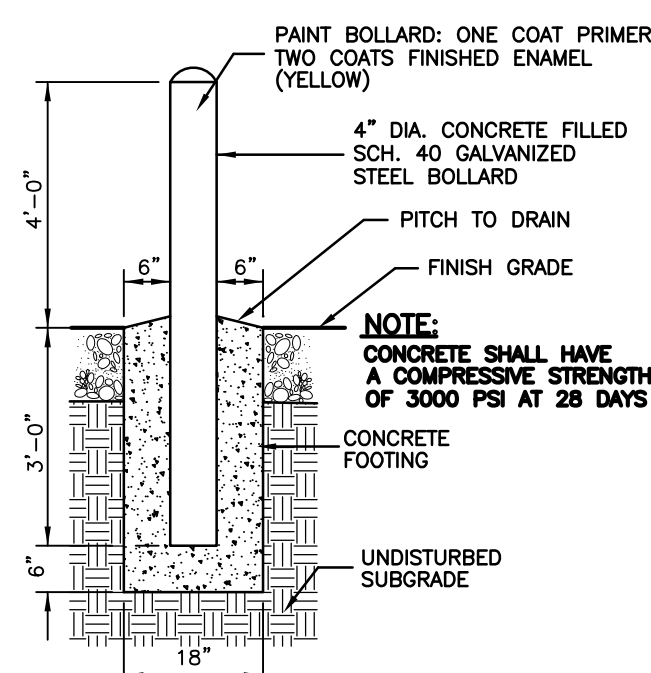
M:\7000\7100\7187 Fishing Pier Drawings\CLA-7187 - Montville Boat Launch and Fishing Pier - Sheet 08-10 Details.dwg



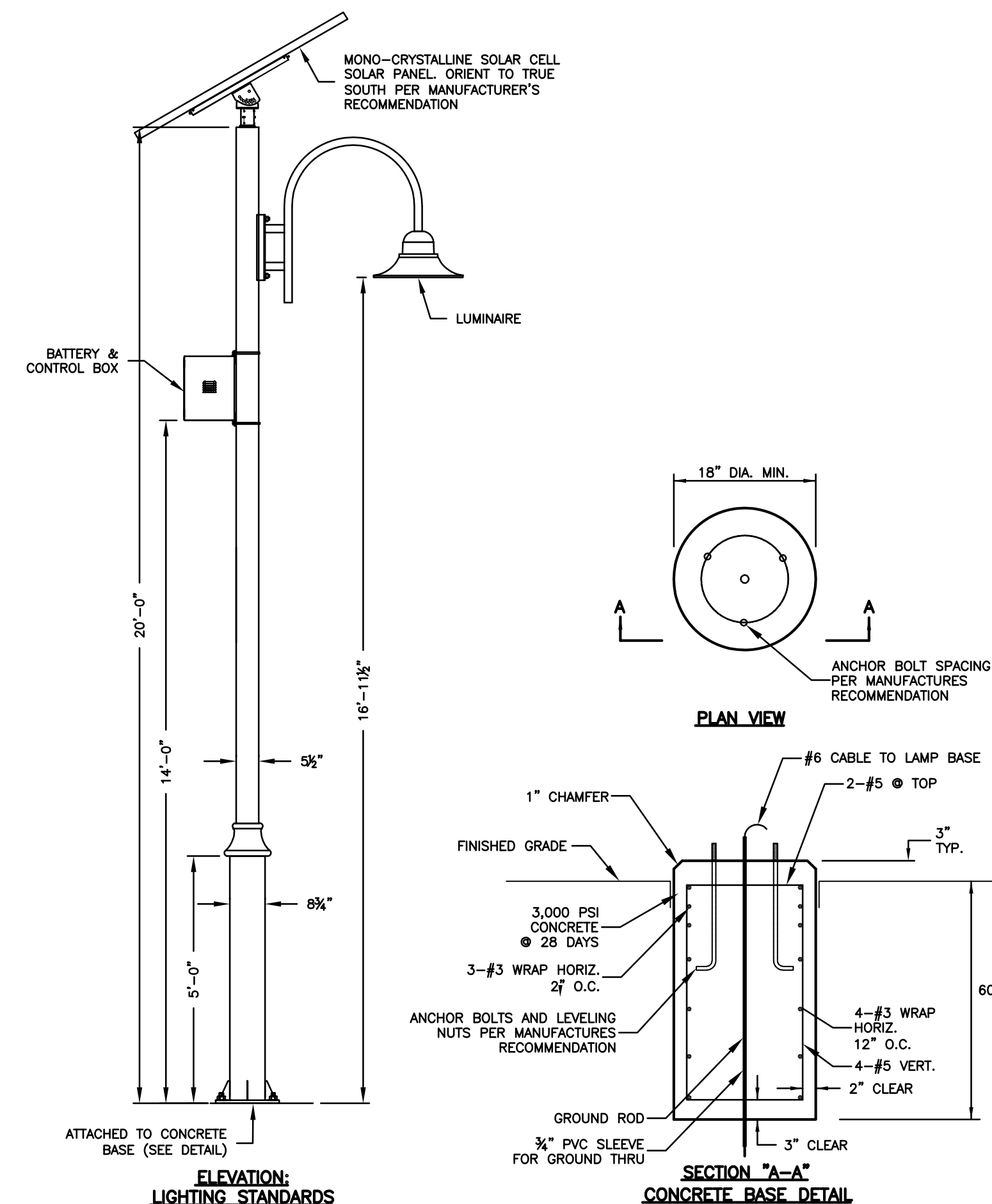
**TYPICAL REINFORCED CONCRETE PAD DETAIL**  
NOT TO SCALE



**SIGN SURROUND DETAIL**  
NOT TO SCALE



**REMOVABLE BOLLARD DETAIL**  
NOT TO SCALE



**SOLAR SITE LIGHTING DETAILS**  
NOT TO SCALE

		<b>CLA Engineers, Inc.</b> CIVIL · STRUCTURAL · SURVEYING	
		317 Main Street Norwich, CT 06360 (860) 886-1966 Fax (860) 886-9165	
2	10/21/2022	Permit Set	Project No. CLA-7187
1	6/16/2022	Misc. Additions & Revisions	Proj. Engineer K.J.H.
No.	DATE	REVISION	Date: May 2022
			Sheet No.
Town of Montville, Connecticut 310-Norwich-New London Tpke, Uncasville, CT 06382			<b>10</b>
Town Boat Launch Improvements and Fishing Pier Construction 55 Dock Road, Uncasville, CT 06382			
Construction Details & Notes			

